



PondoVac 5

- EN Operating instructions
- FR Notice d'emploi
- ES Instrucciones de uso



IMPORTANT SAFETY INSTRUCTIONS

When using an electrical appliance, basic precautions should always be followed, including the following:



READ ALL INSTRUCTIONS BEFORE USING (THIS APPLIANCE)

WARNING – To reduce the risk of fire, electric shock, or injury:

- Do not leave appliance when plugged in. Unplug from outlet when not in use and before servicing.
- Do not expose to rain, store indoors.
- Do not allow to be used as a toy. Close attention is necessary when used by or near children.
- Use only as described in this manual. Use only manufacturer’s recommended attachments.
- Do not use with damaged cord or plug. If appliance is not working as it should, has been dropped, damaged, left outdoors, or dropped into water, return it to a service center.
- Do not pull or carry by cord, use cord as a handle, close a door on cord, or pull cord around sharp edges or corners. Do not run appliance over cord. Keep cord away from heated surfaces.
- Do not unplug by pulling on cord. To unplug, grasp the plug, not the cord.
- Do not handle plug or appliance with wet hands.
- Do not put any object into openings. Do not use with any opening blocked; keep free of dust, lint, hair, and anything that may reduce air flow.
- Keep hair, loose clothing, fingers, and all parts of body away from openings and moving parts.
- Turn off all controls before unplugging.
- Use extra care when cleaning on stairs.
- Do not use to pick up flammable or combustible liquids, such as gasoline, or use in areas where they may be present.
- Connect to a properly grounded outlet only. See Grounding Instructions.
- Unplug before connecting hose and accessories
- Do not pick up anything that is burning or smoking, such as cigarettes, matches, or hot ashes.
- Do not use without dust bag and/or filters in place.

SAVE THESE INSTRUCTIONS

For household use only

GROUNDING INSTRUCTIONS

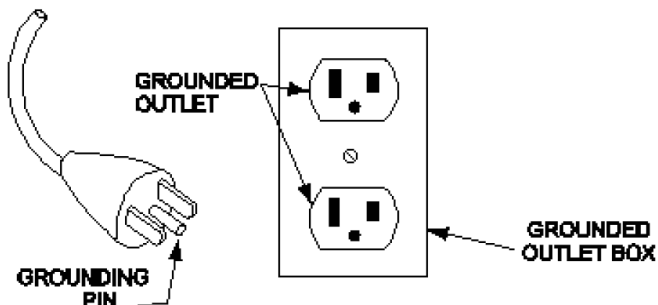
This appliance must be grounded. If it should malfunction or breakdown, grounding provides a path of least resistance for electric current to reduce the risk of electric shock. This appliance is equipped with a cord having an equipment-grounding conductor and grounding plug. The plug must be inserted into an appropriate outlet that is properly installed and grounded in accordance with all local codes and ordinances.

WARNING – Improper connection of the equipment-grounding conductor can result in a risk of electric shock. Check with a qualified electrician or service person if you are in doubt as to whether the outlet is properly grounded. Do not modify the plug provided with the appliance – if it will not fit the outlet, have a proper outlet installed by a qualified electrician.

This appliance is for use on a nominal 120-V circuit and has a grounding attachment plug that looks like the plug illustrated in sketch A. Make sure that the appliance is connected to an outlet having the same configuration as the plug. No adaptor should be used with this appliance.

 EARTH (GROUND) symbol

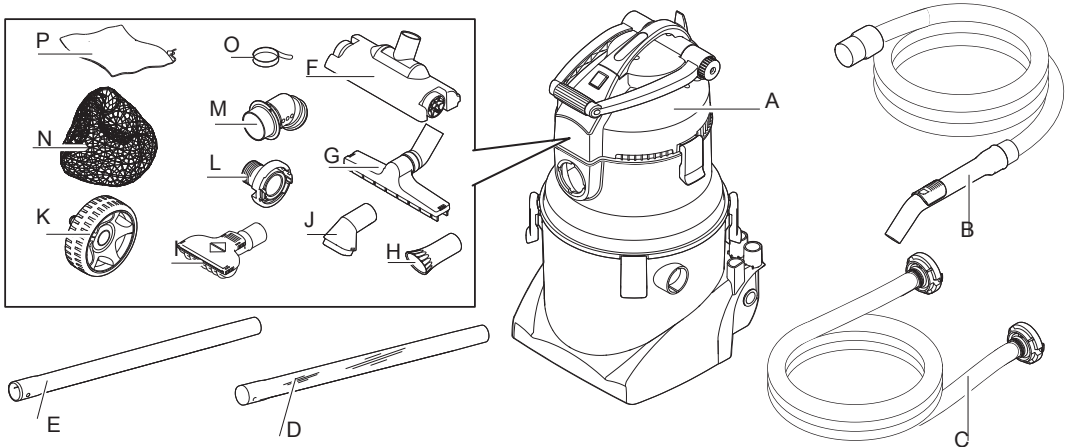
 ALTERNATING CURRENT symbol



REMINDER

CALL 1-866-627-3435
BEFORE RETURNING TO STORE.

Part	Description	QTY
A	Multi-purpose vacuum cleaner PondoVac 5	1
B	Suction hose with handle	1
C	Discharge hose	1
D	Extension tube	1
E	Extension tube, transparent	1
F	Surface cleaning nozzle - For cleaning large, smooth surfaces	1
G	Wet suction nozzle - For removing dirty or residual water for operation as a wet vacuum cleaner	1
H	Algae nozzle - For separating and removing string algae	1
I	Universal nozzle - For removing pond sludge without vacuuming up the pond gravel	1
J	Brush nozzle - For removing stubborn dirt	1
K	Wheel	2
L	Storz coupling type C	1
M	Intake distributor	1
N	Debris collection bag	1
O	Velcro tape for debris collection bag	1
P	Fine filter bag	1



Questions, problems, missing parts?

Before returning to your retailer, call us at 1-866-627-3435, 8 a.m.-6 p.m., EST, Monday-Friday, or email us at customer-care@oase-livingwater.com. Or visit our website at www.oase-livingwater.com


Information about these operating instructions


Welcome to OASE Living Water. You made a great choice with the purchase of this product **PondoVac 5**. Prior to operating the unit, please read the instructions of use carefully and fully familiarize yourself with the unit. Ensure that all work on and with this unit is only carried out in accordance with these instructions. Please strictly follow the enclosed instructions to ensure safe and correct handling of the product. Keep these instructions in a safe place. Please also hand over the instructions when passing the unit on to a new owner.


WARNINGS AND CAUTIONS SYMBOLS


Symbols used in these instructions

The symbols used in this operating manual have the following meanings:

 Risk of injury to persons due to dangerous electrical voltage.
This symbol indicates an imminent danger, which can lead to death or severe injuries if the appropriate measures are not taken.

 Risk of personal injury caused by a general source of danger.
This symbol indicates an imminent danger, which can lead to death or severe injuries if the appropriate measures are not taken.

 Important information for trouble-free operation.

 **WARNING**
Risk of electric shock – This pump is supplied with a grounding conductor and grounding-type attachment plug. To reduce the risk of electric shock, be certain that it is connected only to a properly grounded, grounding-type receptacle.

Product Description

PondoVac 5 is a multi-purpose vacuum cleaner for cleaning garden ponds and pools.

It is also suitable for use as a wet vacuum cleaner in the home. The PondoVac5 is not an outdoor product. It is only used from time to time outdoors.

Function description

The vacuum cleaner is used for removing sludge from ponds/pools via the suction hose and collecting it in the tank.

The suction power can be regulated with the slide in the suction hose handle.

The debris collection bag in the vacuum cleaner tank collects coarse particles, thereby preventing the discharge pump from becoming clogged. Should the suction capacity decrease, it is necessary to clean the debris collection bag. The discharge pump continuously pumps the dirty water out of the tank via the discharge hose.

The float in the filter support basket protects the vacuum head from the ingress of water. Clean the foam filter regularly to ensure perfect function of the vacuum cleaner. Ensure that the float can move freely.

Protective function of the float:

- If the dirty water level in the tank rises inadmissibly, the float closes the intake in the vacuum head and switches the vacuum head off.
 - If the float unblocks the intake within 15 s, the vacuum head will switch on automatically. Otherwise the vacuum cleaner will switch off completely and a warning signal will sound.
 - If the float closes the intake three times within 60 s, the vacuum cleaner will switch off completely and a warning signal will sound.
 - The vacuum cleaner may only be restarted by switching it off and on after remedy of the malfunction.

Intended use

PondoVac 5, referred to in the following as “unit”, may only be used as specified in the following:

- For pond sludge removal.
- For cleaning ponds and pools.
- Only operate the vacuum cleaner with the debris collection bag in place.
- Operation under observance of the technical data.
- Do not use for commercial or industrial purposes.

The following restrictions apply to the unit:

- Never run the unit without water.
- The debris/dirt must contain at least 20 % water.
- Only operate with water at a water temperature of 39.2°F to 95 °F.
- Never use the unit to convey fluids other than water.
- Do not use as a dry vacuum cleaner.
- Do not use in conjunction with chemicals, foodstuff, easily flammable or explosive substances.
- Do not transport the vacuum cleaner when it is filled.

Safety information

This unit can be used by children aged 8 and above and by persons with reduced physical, sensory or mental capabilities or lack of experience and knowledge if they are supervised or have been instructed on how to use the unit in a safe way and they understand the hazards involved.

Do not allow children to play with the unit.

Only allow children to carry out cleaning and user maintenance under supervision.

Hazards encountered by the combination of water and electricity

- The combination of water and electricity can lead to death or severe injury from electrocution, if the unit is incorrectly connected or misused.
- Prior to reaching into the water, always switch off the mains voltage to all units used in the water.

Electrical connection

- The device may only be connected if the electrical data of the device and the power supply coincide. The device data is to be found on the device type plate, on the packaging or in this manual.
- Ensure that the unit is fused for a rated fault current of max. 30 mA by means of a fault current protection device.
- Extension cables and power distributors (e.g. outlet strips) must be suitable for outdoor use (splash-proof).
- Only connect the unit to a correctly fitted socket.
- For your own safety, please consult a qualified electrician.

Safe operation

Do not operate or leave the unit in the rain.

Minimum safety distance between the unit and the water: 6.6 ft.

Only operate the unit if no persons are in the water.

Never operate the unit if either the electrical cables or the housing are defective!

Do not carry or pull the unit by its electrical cable.

Route cords/hoses/lines in a way that they are protected against damage, and ensure that they do not present a tripping obstacle.

Only open the unit housing or its attendant components, when this is explicitly required in the operating instructions.

Only execute work on the unit that is described in this manual. If problems cannot be overcome, please contact an authorized customer service point or, when in doubt, the manufacturer.

Only use original spare parts and accessories for the unit.

Never carry out technical modifications to the unit.

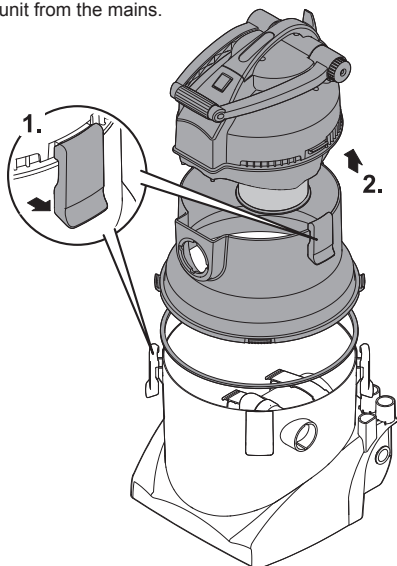
Questions, problems, missing parts?

Before returning to your retailer, call us at 1-866-627-3435, 8 a.m.-6 p.m., EST, Monday-Friday, or email us at customer-care@oase-livingwater.com. Or visit our website at www.oase-livingwater.com

Opening/closing the tank

⚠ Attention! Dangerous electrical voltage.
Possible consequences: Death or severe injury.
Protective measures: Prior to commencing work, disconnect the unit from the mains.

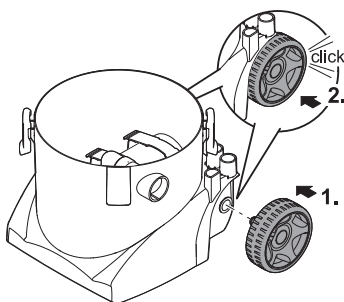
1. Release the locking clips.
 - To do this, grip the clips from underneath and pull upwards.
2. Lift off the vacuum head and the adapter ring.
 - The vacuum head and adapter ring can be removed separately.
 - The plug connector for the discharge pump does not need to be disconnected.
- Assemble the parts in the reverse order and fasten with the locking clips.
 - Ensure that the parts are precisely aligned in relation to each other.
 - Ensure that the seal on the adapter ring is correctly seated so that it is not damaged during assembly.



Assembling the vacuum cleaner

Fitting the wheels

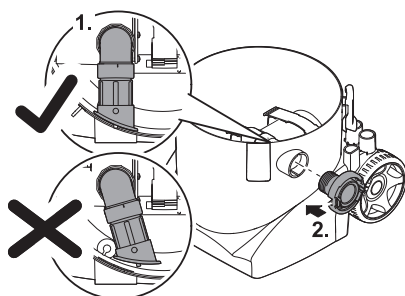
1. Insert the wheel into the wheel bush.
2. Firmly push the wheel until it locks into place.



Fitting the outlet

Prerequisite: The tank is open.

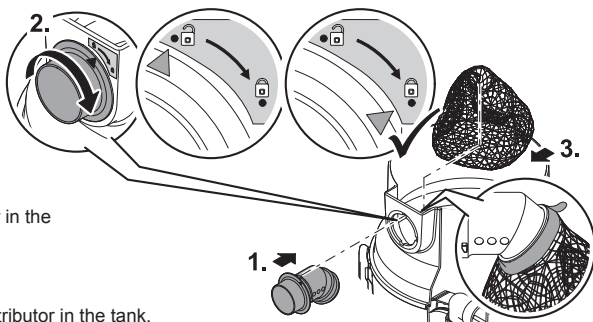
1. Check the correct seating of the adapter with non return valve.
 - Ensure that the adapter is locked into place in the tank wall.
2. Screw the Storz coupling type C onto the outlet and hand-tighten.



Fitting the inlet

Prerequisite: The tank is open

1. Insert the intake distributor into the opening.
 - Guide the pins on the intake distributor through the notches of the opening
2. Twist the intake distributor to lock it into place (bayonet closure).
 - Ensure that the outlet of the intake distributor in the tank is angled downwards.
3. Fit the debris collection bag onto the intake distributor in the tank.
 - Ensure that the elastic of the debris collection bag is seated in the groove of the intake distributor.
 - Secure the debris collection bag with the Velcro tape.



Installation and connection

Attention! Dangerous electrical voltage.
Possible consequences: Death or serious injuries due to operation of electrical units or installations in or near ponds/pools.

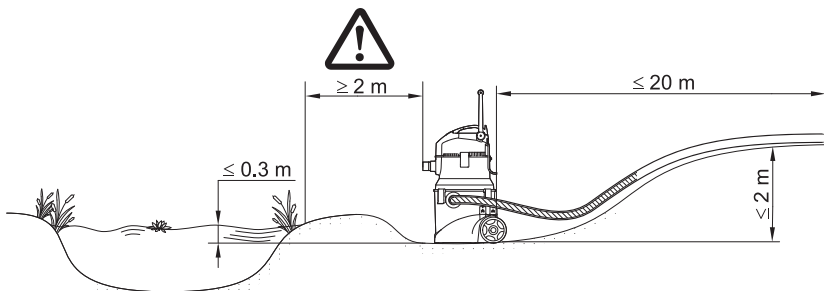
Protective measures:

- Set up the unit at least 6.6 ft. away from the pond/pool.
- Ensure that the ground under the unit is firm and horizontal so that the unit cannot tip over

Note!
The vacuum cleaner can be set up and operated in a position that is up to 1 ft. lower than the water level

Possible consequences: When the vacuum cleaner is switched off, the water will automatically flow through the tank while the suction hose remains in the pond/pool. The pond/pool will be emptied.

Remedy: Always take the suction hose out of the pool/pond when the vacuum cleaner is switched off

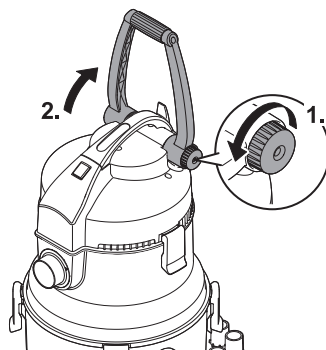


Questions, problems, missing parts?

Before returning to your retailer, call us at 1-866-627-3435, 8 a.m.-6 p.m., EST, Monday-Friday, or email us at customer-care@oase-livingwater.com. Or visit our website at www.oase-livingwater.com

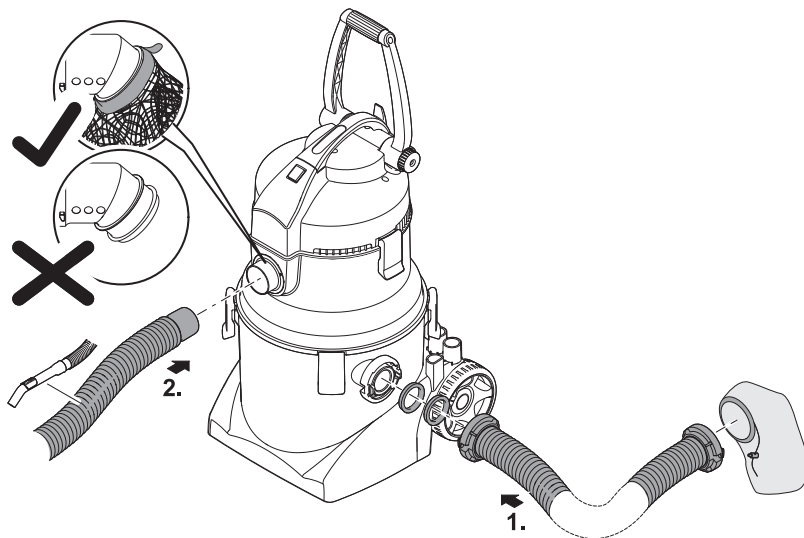
Adjusting the transport brace

1. Undo the locking screw.
2. Move the transport brace into the desired position.
3. Hand-tighten the locking screw.



Connecting the hoses and nozzles

1. Attach the discharge hose to the outlet and twist it clockwise (bayonet closure).
 - o If only coarse dirt particles >1 mm (e.g. leaves or hair) are to be removed, you can allow the waste water to flow back into the pond / pool via the fine filter bag.
 - o Do not allow muddy water to flow back into the pond / pool.
2. Attach the suction hose to the inlet.
3. Fit extension tubes and the desired nozzle to the suction hose with handle.
 - o Universal nozzle: For removing pond sludge without vacuuming up the pond gravel.
 - o Algae nozzle: For separating and removing string algae.
 - o Brush nozzle: For removing stubborn dirt.
 - o Surface cleaning nozzle: For cleaning large, smooth surfaces.
 - o Wet suction nozzle: For removing dirty or residual water for operation as a wet vacuum cleaner



Note!

- The more tubes that are used, the higher the tube frictional resistance. This leads to a reduction of the suction capacity.
- Set up the vacuum cleaner on ground that is not much higher than the water level so as not to impair the suction capacity

The following conditions must be met:

- Allow the dirty water to drain out into a drain or far enough away from the pond to ensure that it cannot flow back into the pond.
- Completely unwind the power and extension cable.
 - o Ensure that the cables are not bundled together or coiled up.

Operation

- Switch on the vacuum cleaner at the power switch.
 - Position I: Power ON.
 - Position 0: The unit is switched OFF
- The suction power can be adjusted with the slide in the suction hose handle.
 - To increase the suction: Move the slide forwards.
 - To reduce the suction: Move the slide backwards.
- Clean the vacuum cleaner after each use.
 - Recommendation: Vacuum up clean water before cleaning. This will wash out the dirt particles.



Note!

The vacuum cleaner and seals will be subjected to excessive strain if the vacuum cleaner is moved when the tank is full.

- Empty the tank before moving the vacuum cleaner.

Maintenance and cleaning



Attention! Dangerous electrical voltage.

Possible consequences: Death or severe injury.

Protective measures: Prior to commencing work, disconnect the unit from the mains.

Cleaning the container

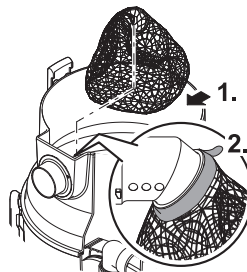
Prerequisite: The tank is open.

- Clean the debris collection bag under running water.
 - Clean the following parts with clean water and a soft brush:
 - Intake distributor
 - Discharge pump
 - Storz coupling type C: Regularly clean seals, including that of the Storz coupling type C hoses. Soiled seals are subject to increased wear, leading to leaks.
 - Inside of the tank
- Recommendation: Place the vacuum head next to the unit (do not open the plug connectors), lay the tank on the ground and rinse out with running water.

Cleaning the debris collection bag

Prerequisite: The tank is open.

1. Release the Velcro tape of the debris collection bag.
2. Pull the elastic of the debris collection bag from the intake distributor.
3. Remove and empty the debris collection bag.
 - Undo the zip on the debris collection bag to facilitate emptying.
 - Close the zip after emptying.
4. Refit the debris collection bag in the reverse order.
 - Secure the debris collection bag with the Velcro tape



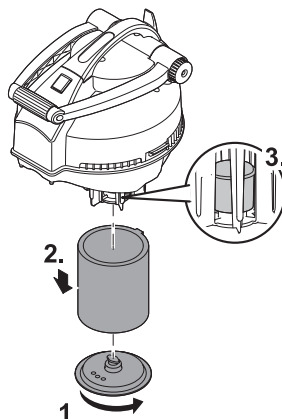
Questions, problems, missing parts?

Before returning to your retailer, call us at 1-866-627-3435, 8 a.m.-6 p.m., EST, Monday-Friday, or email us at customer-care@oase-livingwater.com. Or visit our website at www.oase-livingwater.com

Cleaning the foam filter

Prerequisite: The tank is open.

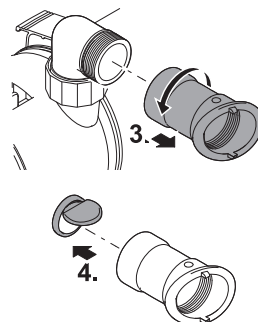
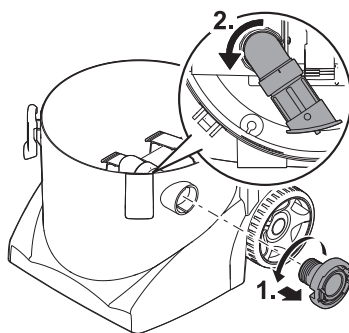
1. Release the filter cover (bayonet closure).
2. Pull off the foam filter and clean with clean water and a soft brush.
3. Check the function of the float and clean if necessary.
 - o Ensure that the float can move freely and easily.
4. Assemble the parts in the reverse order.



Cleaning the non-return valve

Prerequisite: The tank is open

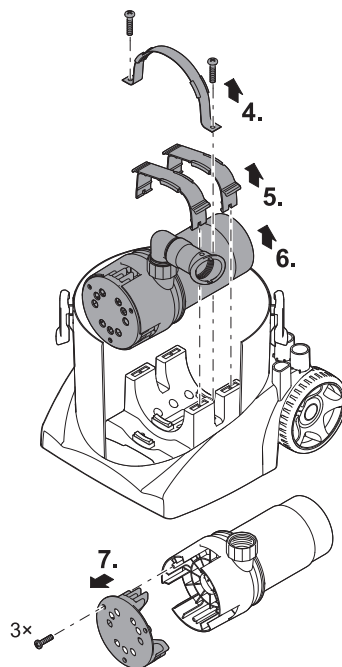
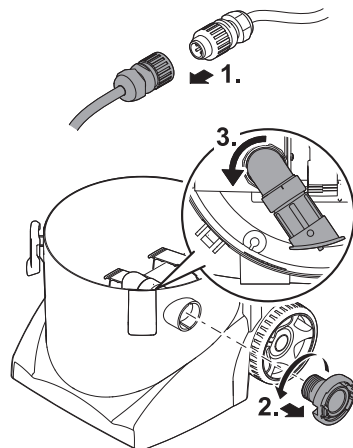
1. Unscrew the Storz coupling type C.
2. Turn the adapter away to the side.
3. Unscrew the adapter.
4. Remove the non-return valve.
5. Clean all parts with clean water and a soft brush.
6. Reassemble the parts in the reverse order.
 - o Important: Ensure that the non-return valve is inserted such that the valve opens in the direction of the outlet



Removing/cleaning the pump

Prerequisite: The tank is open.

1. Unscrew the plug connection and pull apart.
 - o Protect the open plug connection from moisture.
2. Unscrew the Storz coupling type C.
3. Turn the adapter away to the side.
4. Remove the transport protection.
5. Carefully bend open the retaining brace with the tab to release.
6. Remove the discharge pump and clean or replace if defective.
7. Cleaning the discharge pump:
 - o Undo the screws on the pump casing and remove the protection grid.
 - o Clean the protection grid and pump casing on the inside and outside with clear water and a soft brush.
 - o Remove soiling from the impeller unit, turning the impeller unit by hand to access all soiled points.
8. Reassemble the parts in the reverse order.
 - o The transport protection only needs to be fitted for shipping or horizontal transport of the unit.



Wear parts

The following components are wear parts and are excluded from the warranty:

Foam filter, Debris collection bag, Seals, Wheels, Non-return valve, and the Impeller unit

Questions, problems, missing parts?

Before returning to your retailer, call us at 1-866-627-3435, 8 a.m.-6 p.m., EST, Monday-Friday, or email us at customer-care@oase-livingwater.com. Or visit our website at www.oase-livingwater.com

Storage/Winterization

- When not in use, unit must be stored.
 - Drain the unit as far as possible, clean thoroughly and check for damage.
 - Empty all hoses, pipes and connections as far as possible.
 - Store the unit in a dry and frost-free place, inaccessible to children.

Spare parts

The use of original parts from OASE ensures continued safe and reliable operation of the unit. Please visit our website for spare parts drawings and spare parts

Disposal

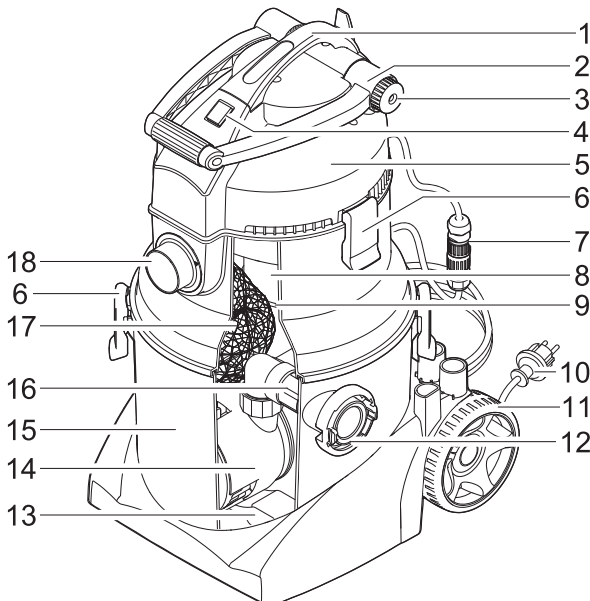


Do not dispose of this unit with domestic waste! Disable the unit beforehand by cutting off the cables. Further information about the recycling of this product can be obtained from your local municipal authority.

Troubleshooting

Issue	Cause	Solution
The unit does not switch on	No mains voltage	Switch on mains voltage
	Pump housing, discharge hose or non-return valve clogged.	Remove dirt
	Defective pump	Replace the pump.
	Plug connector of the pump cable open	Close the plug connector.
	Moisture in the plug connector of the pump cable	Open the plug connector and allow it to dry.
	Discharge hose is too high up.	Route the discharge hose in a lower position (max. 6.6 ft. above the base of the unit)
The unit cannot be switched on, a warning signal has sounded.	The water level in the tank is too high. <ul style="list-style-type: none"> • The float in the vacuum head has closed the intake for longer than 15 s. • The float in the vacuum head has closed the intake three times within 60 s. 	Clean the tank. <ul style="list-style-type: none"> • Ensure that the float can move freely. To reset the malfunction: Switch off the unit and then switch it on again
Water vapor is escaping from the unit.	In cold weather condensate forms in the unit, which is released in the form of water vapour	This is normal. No remedy necessary
No suction or reduction in suction	No mains voltage	Check the mains voltage
	Excessive height difference between water level and unit	Set up the vacuum cleaner on ground that is not much higher than the water level
	Debris collection bag is full	Empty the debris collection bag.
	Dirt clogging the foam filter, suction tube or suction hose	Remove dirt.
	Non-return valve jammed or soiled	Clean
Low suction capacity	Slide on the suction handle is open	Close the slide on the suction handle
	Increased tube friction resistance	Keep the suction hose as short and flat as possible.
	Excessive suction depth Due to the design the suction capacity reduces from a suction depth of 2 m.	Reduce the suction depth
The tank is not emptying, the vacuum head keeps switching off.	<ul style="list-style-type: none"> • Discharge hose kinked • The discharge hose is too high (max. 6.6 ft. higher than the unit). • The discharge hose is too long (65 ft.). 	Route the discharge hose correctly.
	Discharge hose or non-return valve clogged with dirt	<ul style="list-style-type: none"> • Remove dirt from the discharge hose. • Clean the non-return valve.
	The discharge pump is clogged.	<ul style="list-style-type: none"> • Clean the discharge pump. • Clean the non-return valve

Part	Description
1	Transport handle
2	Transport brace
3	Locking screw for fastening the transport brace
4	Power switch - For switching the vacuum cleaner on and off
5	Vacuum head
6	Locking clips (6 ×)
7	Plug connector (designed to prevent misconnection) for connecting the pump
8	Foam filter - Protects the electronics in the vacuum head from the ingress of dirt particles.
9	Filter support basket - The integrated float protects the electronics from the ingress of water if the maximum water level is exceeded.
10	Power cable with power plug
11	Wheel (2×)
12	Outlet (pressure socket) with Storz coupling type C
13	Pump base
14	Discharge pump
15	Tank
16	Adapter with non-return valve - The non-return valve prevents water running back via the discharge hose.
17	Debris collection bag
18	Inlet (suction socket)



Questions, problems, missing parts?

Before returning to your retailer, call us at 1-866-627-3435, 8 a.m.-6 p.m., EST, Monday-Friday, or email us at customer-care@oase-livingwater.com. Or visit our website at www.oase-livingwater.com

CONSIGNES DE SÉCURITÉ

L'utilisation d'un appareil électrique suppose de respecter des mesures de précaution de base, y compris les suivantes:



PRENDRE CONNAISSANCE DE TOUTES LES RECOMMANDATIONS AVANT D'UTILISER CET APPAREIL

ATTENTION Pour réduire les risques d'incendie, de choc électrique ou d'accident corporel :

- Ne pas laisser l'appareil sans surveillance tant qu'il reste branché. Débrancher le connecteur lorsque l'appareil n'est pas utilisé ou pour faire une opération d'entretien.
- Protéger l'appareil contre la pluie. le ranger dans un local fermé
- Cet appareil n'est pas un jouet. Rester très vigilant lorsque des enfants sont à proximité
- N'utiliser l'appareil qu'en suivant les instructions données dans ce guide. N'utiliser que les accessoires recommandés par le fabricant.
- Ne pas utiliser l'appareil avec un câble ou un connecteur endommagé. Rapporter l'appareil au SAV le plus proche en cas d'anomalie de fonctionnement ou suite à une chute ou encore en présence d'un dommage manifeste.
- Ne pas utiliser le câble pour porter l'appareil, ne jamais utiliser le câble comme moyen de manutention, ne pas le faire passer sur des arêtes vives. Ne pas faire rouler l'appareil sur le câble. Ne pas laisser le câble sur des surfaces à haute température.
- Ne pas tirer le câble pour débrancher. Toujours tirer sur le connecteur pour débrancher, pas sur le câble.
- Ne pas toucher l'appareil ou le connecteur avec des mains humides.
- Ne pas mettre d'objet dans les ouvertures. Ne pas utiliser l'appareil lorsque les ouvertures sont obstruées, maintenir les ouvertures bien dégagées (absence de poussières et autres) pour assurer un bon débit d'air.
- Tenir éloigné des ouvertures et des organes mobiles les cheveux, des pièces de vêtement lâches, les doigts ou toute partie du corps en général.
- Mettre à l'arrêt la commande avant de débrancher.
- Opérer avec une grande prudence lors de nettoyage d'escaliers.
- Ne pas utiliser l'appareil pour opérer sur des liquides inflammables (essence et autres) ou à proximité de ceux-ci.
- Ne brancher que sur une prise avec une liaison à la terre faite dans les règles. Voir les recommandations pour la prise de terre.
- Débrancher le connecteur avant de raccorder la conduite souple et l'accessoire.
- Ne pas prendre d'objets brûlants ou très chauds (cigarettes, allumettes, cendres encore chaudes, etc.)
- Ne pas utiliser en l'absence de sachet collecteur de poussières à l'aspiration ou de filtre.

GARDER CE GUIDE D'UTILISATION

Appareil à usage uniquement domestique

RECOMMANDATIONS POUR LA MISE A LA TERRE

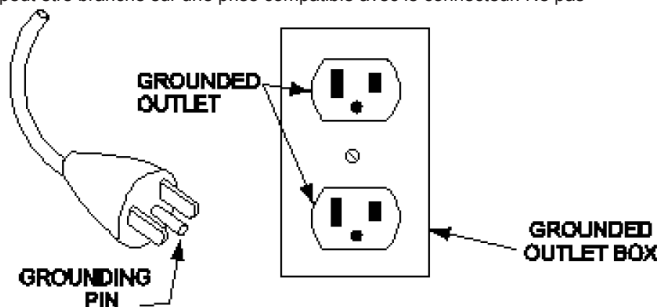
Cet appareil doit être mis à la terre. En cas d'anomalie la mise à la terre présente la plus petite résistance au courant électrique, ce qui diminue les risques de choc électrique. Cet appareil est pourvu d'un câble avec conducteur de mise à la terre. Brancher ce connecteur à une prise électrique appropriée, installée avec une liaison de mise à la terre conformément aux normes

ATTENTION : un raccordement mal fait du conducteur de terre peut entraîner des chocs électriques. En cas d'incertitude sur la mise en place correcte de la prise avec la terre, faire intervenir un professionnel qualifié. Ne faire aucune modification sur le connecteur : s'il est incompatible avec la prise électrique, faire intervenir un professionnel qualifié pour l'installation d'une autre prise.

Cet appareil conçu pour fonctionner sur une tension réseau de 120 V est pourvu d'un connecteur pour mise à la terre (voir la figure A). S'assurer que l'appareil peut être branché sur une prise compatible avec le connecteur. Ne pas utiliser d'adaptateur avec cet appareil.

 EARTH (GROUND) symbol

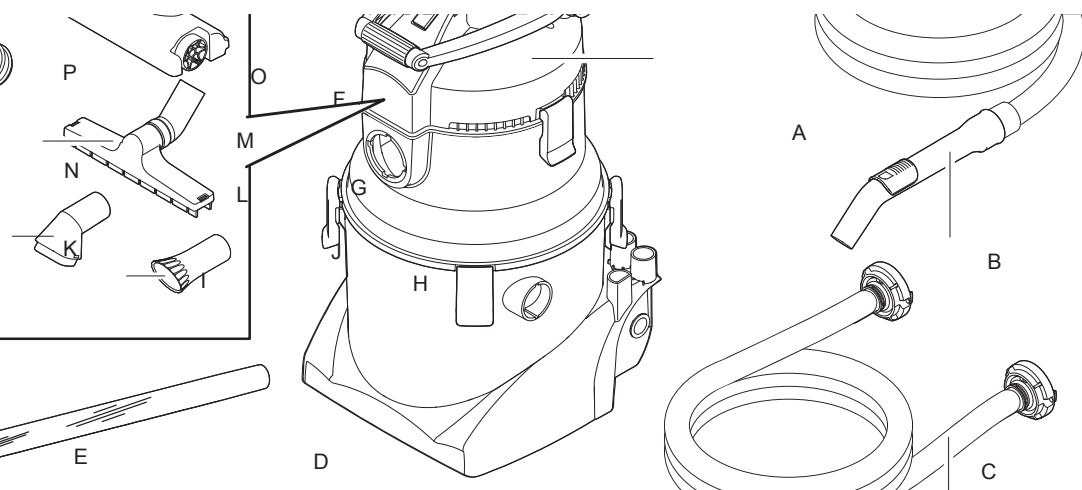
 ALTERNATING CURRENT symbol



RAPPEL

APPELEZ LE 1-866-627-3435
AVANT DE RETOURNER AU MAGASIN.

Pièce	Description	Quant.
A	Aspirateur multifonctions Pondovac 5	1
B	Tuyau d'aspiration avec poignée	1
C	Tuyau d'écoulement	1
D	Tuyau de rallonge	1
E	Tube de rallonge transparent	1
F	Suceur pour surface - Pour le nettoyage de grandes surfaces lisses	1
G	Suceur pour liquide - Pour l'aspiration de saleté ou de résidus d'eau en mode aspirateur pour eau	1
H	Suceur pour algues filamenteuses - Pour la séparation et l'élimination d'amas d'algues filamenteuses	1
I	Suceur universel - Pour l'aspiration de vase de bassin sans aspirer le gravier du bassin	1
J	Suceur à brosse - Pour le nettoyage d'impuretés tenaces	1
K	Roue	2
L	raccord fixe STORZ C	1
M	Distributeur d'aspiration	1
N	Sac de récupération d'impuretés	1
O	Bande velcro pour sac de récupération d'impuretés	1
P	Sac de filtre fin	1



Questions, problèmes, pièces manquantes ?

Avant de retourner chez votre détaillant, appelez au 1 866 627-3435, entre 8 h et 18 h, heure de l'Est, ou encore envoyez-nous un courriel à l'adresse customer-care@oase-livingwater.com. Vous pouvez aussi consulter notre site web au www.oase-livingwater.com


Informations sur le mode d'emploi


Bienvenue à OASE Living Water. L'achat de votre **PondoVac 5** constitue un excellent choix. Avant d'utiliser la pompe, lisez les instructions attentivement et familiarisez-vous parfaitement avec l'appareil. Assurez-vous que tout travail effectué sur cet appareil et toute utilisation est conforme aux instructions qui suivent. Suivez ces instructions à la lettre afin de vous assurer d'une manutention de l'appareil adéquate et sans risque. Conservez ces instructions dans un endroit sûr et remettez-les au nouveau propriétaire si vous transmettez l'appareil.

PICTOGRAMMES DE PRÉCAUTIONS ET MISES EN GARDE


Pictogrammes utilisés dans ces instructions

Les pictogrammes utilisés dans ce manuel d'utilisation ont les significations suivantes :

 Risque de blessures aux personnes en raison de la tension électrique dangereuse.
Ce pictogramme indique un danger imminent pouvant entraîner la mort ou des blessures graves si les mesures appropriées ne sont pas prises.

 Situation dangereuse pour les personnes en raison d'un danger d'ordre général.
Ce pictogramme indique un danger imminent pouvant entraîner la mort ou des blessures graves si les mesures appropriées ne sont pas prises.

 Renseignements importants pour un bon fonctionnement.

 **AVERTISSEMENT**
Risque de décharge électrique. Cette pompe est fournie avec un conducteur de terre et une fiche de terre. Afin de réduire le risque de décharge électrique, assurez-vous qu'elle est uniquement connectée à une prise avec mise à la terre, bien mise à la terre.

Description du produit

PondoVac 5 est un aspirateur multifonctions pour le nettoyage de bassins de jardin, piscines et piscines naturelles. L'appareil peut également être utilisé comme aspirateur pour eau dans la maison. PondoVac 5 n'est pas un produit de l'extérieur. Elle n'est utilisée que de temps en temps à l'extérieur.

Description des fonctions

Par le biais du tuyau flexible d'aspiration, l'appareil aspire la boue des milieux aquatiques laquelle est collectée dans le réservoir. Le coulisseau dans la poignée du tuyau d'aspiration permet de régler la puissance d'aspiration.

Le sac de récupération d'impuretés contenu dans le réservoir collecte les particules de saleté grossière et évite un bouchage ou un blocage de la pompe de vidage. Si la puissance d'aspiration diminue, il faut nettoyer le sac de récupération d'impuretés.

La pompe de vidage pompe l'eau usée du réservoir par le tuyau d'écoulement, en permanence.

Le flotteur dans la corbeille de filtre protège le bloc aspirateur de l'infiltration d'eau. Pour un fonctionnement optimal, la mousse filtrante doit être nettoyée régulièrement. Le flotteur doit pouvoir se laisser déplacer librement.

Fonction de protection du flotteur :

- Si le niveau d'eau usée dans le réservoir augment de manière non conforme, le flotteur ferme l'ouverture d'aspiration du bloc aspirateur et éteint celui-ci.
 - Si le flotteur relâche l'ouverture d'aspiration dans les 15 secondes, le bloc aspirateur se rallume automatiquement. Dans le cas contraire, l'appareil s'éteint automatiquement et émet un signal d'alarme.
 - Si le flotteur ferme l'ouverture d'aspiration trois fois dans une période de 60 secondes, le bloc aspirateur se rallume automatiquement
 - Ce n'est qu'une fois le problème corrigé que l'appareil peut être remis en route grâce au bouton marche/arrêt.

Utilisation prévue

PondoVac 5, désignées ci-après comme « l'appareil », peuvent être utilisées seulement comme indiqué dans les points suivants :

- Pour aspirer la vase de bassin.
- Pour le nettoyage des étangs, des piscines naturelles et des piscines.
- N'utiliser l'appareil qu'avec le sac de récupération d'impuretés.
- Exploitation dans le respect des données techniques.
- Ne pas utiliser à des fins commerciales ou industrielles.

Les restrictions suivantes sont valables pour l'appareil :

- Ne jamais utiliser sans débit d'eau.
- La part d'eau dans la saleté traitée doit être d'au moins 20 %.
- A utiliser uniquement avec de l'eau à une température entre +4 °C et +35 °C.
- Ne jamais fouler des liquides autres que de l'eau.
- A ne pas utiliser comme aspirateur de poussières.
- Ne pas utiliser en relation avec des produits chimiques, des produits alimentaires, des matériaux facilement inflammables ou explosifs.
- Ne pas transporter plein.

Consignes de sécurité

Attention :

Dans le cas où cet appareil serait utilisé par des mineurs de moins de 8 ans ainsi que par des personnes souffrant d'un handicap mental ou plus généralement par des personnes manquant d'expérience, un adulte averti devra être présent, qui renseignera le mineur ou la personne fragilisée concernée sur le bon emploi de ce matériel. Les enfants ne doivent pas jouer avec cet appareil. Ne pas laisser un enfant sans surveillance pour le nettoyage ou l'entretien

Dangers dus à la combinaison d'eau et d'électricité

- La combinaison d'eau et d'électricité peut entraîner des blessures graves ou la mort par électrocution en présence de raccordements non conformes ou d'une utilisation inappropriée.
- Toujours mettre hors tension tous les appareils se trouvant dans l'eau avant tout contact avec l'eau.

Raccordement électrique

- Le raccordement de l'appareil est autorisé uniquement lorsque les caractéristiques électriques de l'appareil et de l'alimentation électrique correspondent. Les caractéristiques de l'appareil sont indiquées sur la plaque signalétique de l'appareil, sur l'emballage ou dans cette notice d'emploi.
- Veiller à ce que l'appareil soit absolument protégé par fusible par le biais d'une protection différentielle avec un courant assigné de 30 mA maximum.
- Les câbles de rallonge et le distributeur de courant (p. ex. blocs multiprises) doivent être conçus pour une utilisation en extérieur (protégé contre les projections d'eau).
- Raccorder l'appareil uniquement à une prise installée de manière réglementaire.
- En cas de questions et de problèmes, prière de vous adresser à un technicien électricien.

Exploitation sécurisée

Ne pas utiliser ou laisser l'appareil sous la pluie.

La distance de sécurité entre l'appareil et la pièce d'eau doit être d'au moins 2 m.

N'utiliser l'appareil que lorsque personne ne se trouve dans l'eau.

En cas de lignes électriques défectueuses ou de carter défectueux, il est interdit d'exploiter l'appareil.

Ni porter, ni tirer l'appareil par le câble électrique.

Poser les câbles de manière à ce qu'ils soient protégés contre d'éventuels endommagements et veiller à ce que personne ne puisse trébucher.

Ouvrir le carter de l'appareil ou des éléments s'y rapportant uniquement si cela est expressément sollicité dans la notice d'emploi.

Exécuter des travaux sur l'appareil uniquement si ces derniers sont décrits dans la notice d'emploi. S'il est impossible de remédier aux problèmes, contacter le SAV agréé ou en cas de doute le constructeur.

N'utiliser que des pièces de rechange et des accessoires d'origine pour l'appareil.

Ne jamais procéder à des modifications techniques sur l'appareil.

Questions, problèmes, pièces manquantes ?

Avant de retourner chez votre détaillant, appelez au 1 866 627-3435, entre 8 h et 18 h, heure de l'Est, ou encore envoyez-nous un courriel à l'adresse customercare@oase-livingwater.com. Vous pouvez aussi consulter notre site web au www.oase-livingwater.com

Ouvrir/fermer le réservoir

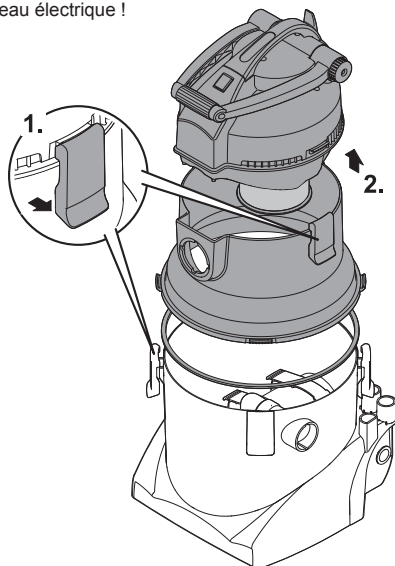


Attention ! Tension électrique dangereuse !

Conséquences possibles : mort ou blessures graves.

Mesures préventives : Avant tout travail, couper l'appareil du réseau électrique !

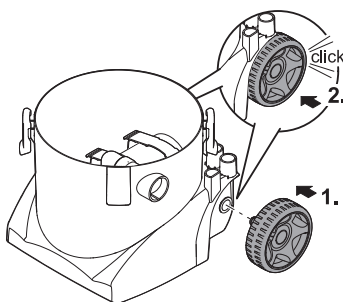
1. Desserrer la pince de fermeture.
 - Saisir la pince par le dessous puis la tirer vers le haut.
2. Lever le bloc aspirateur ou la bague d'adaptation.
 - Le bloc aspirateur et la bague d'adaptation peuvent être extraits séparément l'un de l'autre.
 - La cosse destinée à la pompe de vidage ne doit pas être desserrée.
- Remonter les pièces en suivant l'ordre inverse, puis verrouiller le tout avec la pince de fermeture.
 - Les ouvertures doivent être alignées ensemble correctement.
 - Le joint sur la bague d'adaptation doit être bien en place afin qu'il ne soient pas endommagé lors de l'assemblage.



Assemblage de l'appareil

Montage des roues

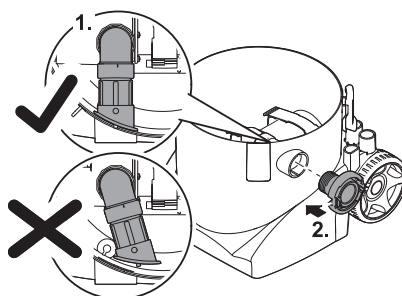
1. Insérer la roue dans la boîte d'essieu.
2. Appuyer fermement sur la roue jusqu'à ce qu'elle s'enclenche.



Montage de la sortie

Prérequis : Le réservoir est ouvert.

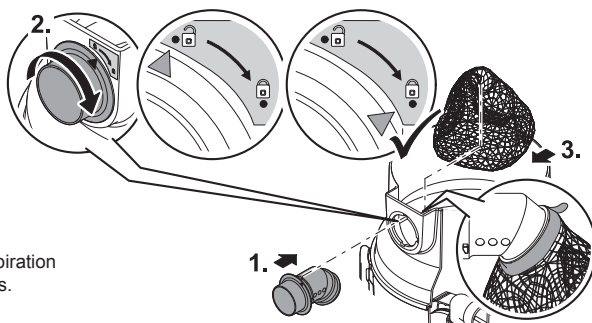
1. Contrôler que l'adaptateur avec clapet anti-retour est bien en place sur la tête de l'appareil.
 - L'adaptateur doit être enclenché contre la paroi du réservoir.
2. Visser le raccord fixe STORZ C sur la sortie et le serrer à la main.



Montage de l'entrée

Prérequis : Le réservoir est ouvert.

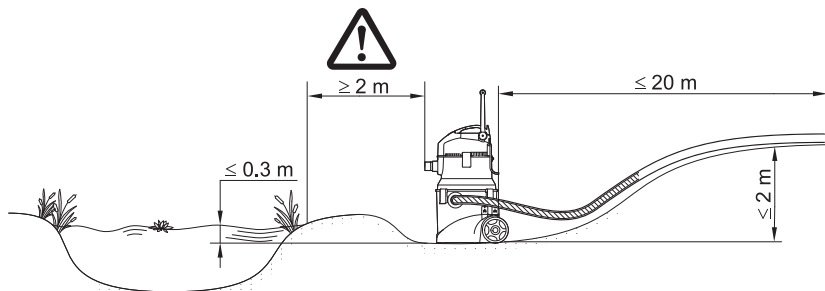
1. Brancher le distributeur d'aspiration dans l'ouverture.
 - o Les pointes sur le distributeur d'aspiration doivent être introduites dans les encoches de l'ouverture
2. Tourner fermement le distributeur d'aspiration (emboîtement à baïonnette).
 - o L'ouverture d'évacuation du distributeur d'aspiration dans le réservoir doit être inclinée vers le bas.
3. Mettre en place le sac de récupération d'impuretés sur le distributeur d'aspiration, dans le réservoir.
 - o La bande élastique du sac de récupération d'impureté doit être insérée dans la fente du distributeur d'aspiration.
 - o Le sac de récupération d'impuretés doit être installé de manière à ce que la bande élastique soit sécurisée.



Mise en place et raccordement

- ⚠ Attention ! Tension électrique dangereuse.**
Conséquences possibles : mort ou blessures graves découlant du fonctionnement d'appareils électriques ou d'installations dans ou à côté des milieux aquatiques
Mesures préventives :
- Placer l'appareil à 2 m des milieux aquatiques.
 - Choisir un sol horizontal et solide pour éviter tout risque de basculement.

- i Remarque !**
 L'appareil peut être déposé et utilisé à 0,3 m sous le niveau de l'eau
Conséquences possibles : Lorsque l'appareil est déconnecté, l'eau s'écoule automatiquement par le réservoir, si le tuyau d'aspiration reste dans l'étang/le bassin. L'étang / le bassin se vide
Remède : Lorsque l'appareil est éteint, toujours retirer le tuyau d'aspiration de l'étang/le bassin

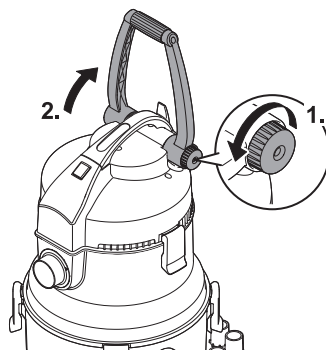


Questions, problèmes, pièces manquantes ?

Avant de retourner chez votre détaillant, appelez au 1 866 627-3435, entre 8 h et 18 h, heure de l'Est, ou encore envoyez-nous un courriel à l'adresse customer-care@oase-livingwater.com. Vous pouvez aussi consulter notre site web au www.oase-livingwater.com

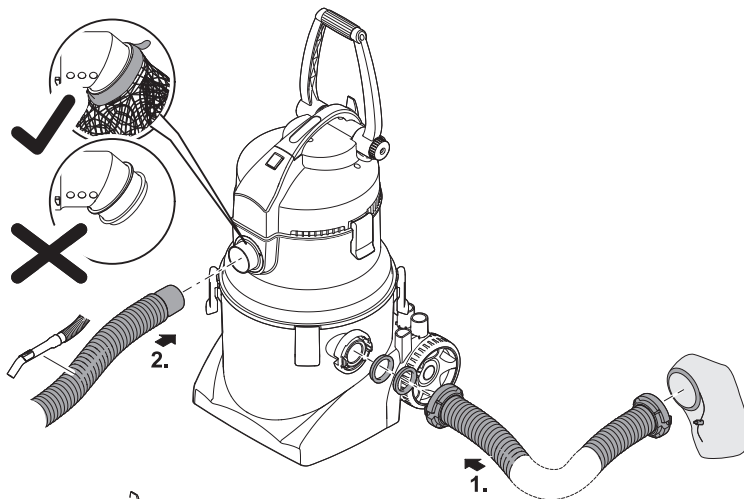
Réglage de la poignée de transport

1. Desserrer la vis de fixation.
2. Mettre la poignée de transport dans la position souhaitée.
3. Serrer la vis de fixation à la main.



Raccorder les tuyaux et suceurs

1. Débrancher le tuyau flexible d'écoulement de la sortie et le tourner dans le sens horaire (emboîtement à baïonnette).
 - o Si seules des particules de saleté grossières > 1 mm (par ex. feuilles ou cheveux) sont aspirées, vous pouvez rediriger l'eau d'évacuation vers l'étang / le bassin via le sac de filtre fin
 - o Toujours dévier l'eau boueuse.
2. Brancher le tuyau d'aspiration à l'entrée.
3. Raccorder le suceur voulu et le tube de rallonge à la poignée du tuyau d'aspiration.
 - o Suceur universel : Pour l'aspiration de vase de bassin sans aspirer le gravier du bassin.
 - o Suceur pour algues filamenteuses : Pour la séparation et l'élimination d'amas d'algues filamenteuses.
 - o Suceur à brosse : pour le nettoyage d'impuretés tenaces.
 - o Suceur pour surface : Pour le nettoyage de grandes surfaces lisses.
 - o Suceur pour liquide : Pour l'aspiration de saleté ou de résidus d'eau en mode aspirateur pour eau.



Remarque !

- Plus on utilise de tubes, plus élevée sera la résistance due au frottement dans le tube. La puissance d'aspiration s'en trouve ainsi diminuée.
- Placer l'appareil un peu en dessous du niveau de l'eau, pour éviter toute réduction de la puissance d'aspiration.

Ci-après, les conditions fondamentales à respecter :

- Laisser l'eau usée s'écouler dans les canalisation ou le plus loin possible du bassin pour éviter absolument son retour dans l'étang.
- Dérouler complètement le câble secteur et le câble d'allonge.
 - o Éviter tout faisceau de câbles.

Operation

- Allumer l'interrupteur.
 - Position I: Aspiration continue.
 - Position 0: L'appareil est hors circuit.
- Le coulisseau dans la poignée du tuyau d'aspiration permet de régler la puissance d'aspiration souhaitée.
 - Augmenter la puissance d'aspiration : Glisser le coulisseau vers l'avant.
 - Réduire la puissance d'aspiration : Glisser le coulisseau vers l'arrière
- Nettoyer l'appareil après chaque usage
 - Conseil : Aspirer de l'eau propre avant le nettoyage. Les particules de salissures se détachent et sont évacuées.



Remarque !

- L'appareil et les joints sont surchargés lorsque l'appareil est déplacé alors que le réservoir est rempli.
- Vider le réservoir avant de déplacer l'appareil.

Nettoyage et entretien



Attention ! Tension électrique dangereuse !

Conséquences possibles : mort ou blessures graves.

Mesures préventives : Avant tout travail, couper l'appareil du réseau électrique !

Nettoyage du récipient

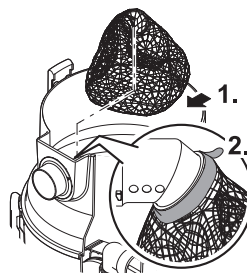
Prérequis : Le réservoir est ouvert.

- Rincer le sac de récupération d'impuretés à l'eau claire.
 - Ci-après, les pièces à nettoyer à l'eau claire et avec une brosse souple :
 - Distributeur d'aspiration
 - Pompe de vidage
 - raccord fixe STORZ C : Nettoyer les joints, régulièrement, même ceux des tuyaux C. Les joints encrassés s'usent plus rapidement et entraînent des raccords non étanches.
 - l'intérieur du réservoir
- Conseil : Poser le bloc aspirateur à côté de l'appareil (ne pas ouvrir la prise), poser le réservoir et le rincer à l'eau claire.

Nettoyer le sac de récupération d'impuretés

Prérequis : Le réservoir est ouvert.

1. Détacher la bande velcro du sac de récupération d'impuretés.
2. Retirer l'élastique du sac de récupération d'impuretés du distributeur d'aspiration.
3. Extraire le sac de récupération d'impuretés et le vider.
 - Ouvrir le velcro pour vider le sac de récupération d'impuretés plus facilement.
 - Refermer le velcro une fois le sac vide..
4. Remonter le sac de récupération d'impuretés en ordre inverse
 - Le sac de récupération d'impuretés doit être installé de manière à ce que la bande élastique soit sécurisée



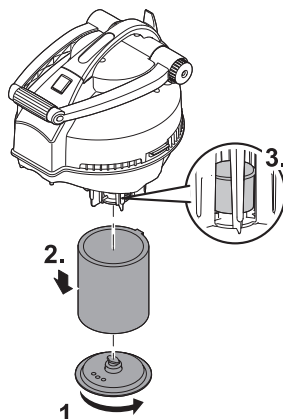
Questions, problèmes, pièces manquantes ?

Avant de retourner chez votre détaillant, appelez au 1 866 627-3435, entre 8 h et 18 h, heure de l'Est, ou encore envoyez-nous un courriel à l'adresse customer-care@oase-livingwater.com. Vous pouvez aussi consulter notre site web au www.oase-livingwater.com

Nettoyer la mousse filtrante

Prérequis : Le réservoir est ouvert.

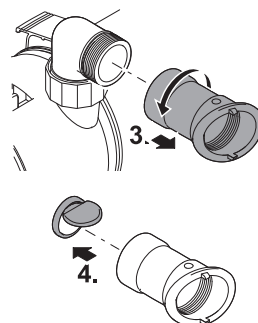
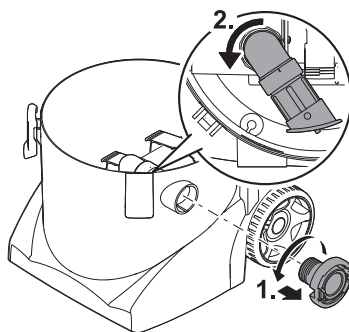
1. Desserrer le cache du filtre (emboîtement à baïonnette).
2. Enlever mousse filtrante et nettoyer les pièces à l'eau claire et avec une brosse souple.
3. Vérifier le fonctionnement du flotteur et le nettoyer si besoin.
 - o Le flotteur doit pouvoir se laisser déplacer librement.
4. Remonter les pièces en suivant l'ordre inverse.



Nettoyage du clapet anti-retour

Prérequis : Le réservoir est ouvert

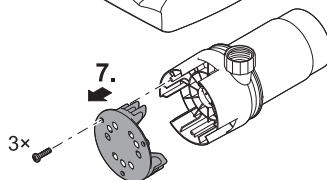
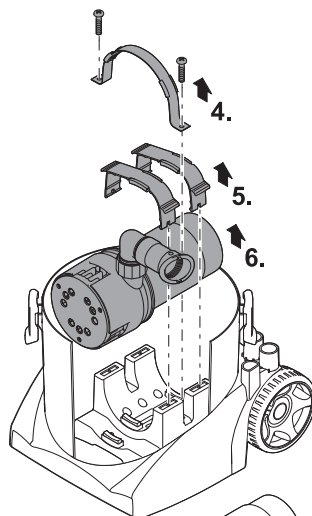
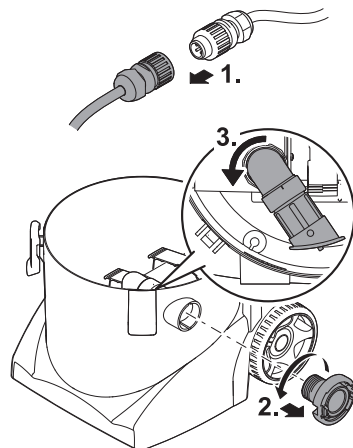
1. Dévisser le raccord fixe STORZ C.
2. Tourner l'adaptateur sur le côté pour l'extraire.
3. Dévisser l'adaptateur
4. Extraire le clapet anti-retour
5. Nettoyer toutes les pièces à l'eau claire et avec une brosse souple.
6. Remonter les pièces en suivant l'ordre inverse..
 - o Important : Le clapet anti-retour doit être installé de sorte qu'il s'ouvre en direction de la sortie



Démonter/nettoyer la pompe

Prérequis : Le réservoir est ouvert.

1. Desserrer la prise et la séparer.
 - o Protéger la fiche ouverte contre les infiltrations d'humidité.
2. Dévisser le raccord fixe STORZ C.
3. Tourner l'adaptateur sur le côté pour l'extraire.
4. Retirer la sécurité de transport.
5. Ouvrir précautionneusement l'étrier de blocage pour desserrer le verrouillage.
6. Extraire la pompe de vidage et la nettoyer, ou la remplacer en cas de dysfonctionnement
7. Nettoyer la pompe de vidage :
 - o Desserrer les vis sur le carter de la pompe et retirer la grille de protection.
 - o Nettoyer la grille de protection et le carter de la pompe à l'intérieur et à l'extérieur, à l'eau claire et avec une brosse.
 - o Retirer la saleté de l'unité de fonctionnement. Pour pouvoir atteindre toutes les zones encrassées, tourner l'unité de fonctionnement à la main.
8. Remonter les pièces en suivant l'ordre inverse.
 - o La sécurité de transport ne doit être montée qu'en cas d'expédition ou de transport couché de l'appareil.



Pièces d'usure

Les composants suivants sont des pièces d'usure et ne sont pas couverts par la garantie :

Mousse filtrante, Sac de récupération d'impuretés, Joints, Roues, Clapet anti-retour, Unité de fonctionnement

Pièces de rechange

L'appareil continue de fonctionner de manière fiable et sécurisée avec des pièces originales d'OASE. Vous trouverez nos pièces de rechange et leurs schémas sur notre site internet.

Questions, problèmes, pièces manquantes ?

Avant de retourner chez votre détaillant, appelez au 1 866 627-3435, entre 8 h et 18 h, heure de l'Est, ou encore envoyez-nous un courriel à l'adresse customer-care@oase-livingwater.com. Vous pouvez aussi consulter notre site web au www.oase-livingwater.com

Stockage / entreposage pour l'hiver

- En cas de non utilisation, l'unité doit être mémorisé.
 - Vidanger l'appareil autant qu'il est possible de le faire, procéder à un nettoyage soigneux et vérifier l'absence de dommage
 - Vider l'ensemble des tuyaux, conduites et raccords autant que possible.
 - Entreposer l'appareil hors de portée des enfants dans un endroit sec et protégé du gel.

Élimination

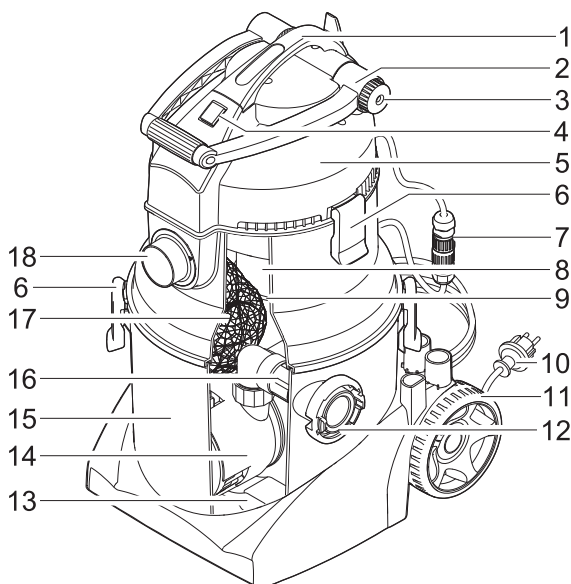


Ne jetez pas cet appareil avec les déchets domestiques ! Désactivez préalablement l'appareil en coupant les câbles. Vous pouvez obtenir plus d'informations sur le recyclage de ce produit auprès des autorités municipales

Dépannage

Problème	Cause	Solution
L'appareil ne se met pas en service	Aucune tension de réseau	Mettre la tension de réseau en circuit
	Carter de pompe, tuyau d'écoulement ou clapet anti-retour bloqué	Retirer la saleté
	La pompe est défectueuse	Remplacer la pompe
	Prise du câble de pompe ouvert	Fermer la prise
	Humidité dans la prise du câble de pompe	Ouvrir la prise et la laisser sécher à l'air
	Le tuyau d'écoulement est trop haut	Poser le tuyau d'écoulement plus bas (max. 2 m sous la hauteur de l'appareil)
L'appareil ne se laisse pas démarrer, un signal d'alarme retentit	Niveau d'eau trop important dans le réservoir • Le flotteur dans le bloc aspirateur a fermé l'ouverture d'aspiration pendant plus de 15 s. • Le flotteur dans le bloc aspirateur a fermé l'ouverture d'aspiration trois fois pendant une période de 60 s	Nettoyer le récipient • Le flotteur doit pouvoir se laisser déplacer librement. Réinitialiser la panne : Mettre l'appareil hors circuit et le remettre en marche
De la vapeur sort de l'appareil	Par temps froid, de l'eau de condensation se forme dans l'appareil, ce qui se traduit par de la vapeur d'eau	Situation normale. Aucun remède nécessaire
L'appareil n'aspire pas ou perd de la puissance	La tension secteur manque	Vérifier la tension secteur
	La différence de hauteur entre la surface de l'eau et l'appareil est trop importante	Placer l'appareil un peu en dessous du niveau de l'eau
	Le sac de récupération d'impuretés est plein	Vider le sac de récupération d'impuretés
	De la saleté obstrue la mousse filtrante, le tube d'aspiration ou le tuyau flexible d'aspiration	Retirer la saleté
	La sonde de niveau se coince ou est encrassée	La nettoyer
Faible puissance d'aspiration	Le coulisseau au niveau de la poignée d'aspiration est ouvert	Fermer le coulisseau au niveau de la poignée d'aspiration
	Résistance de frottement du tuyau accrue	Maintenir si possible la conduite d'aspiration courte et à plat
	Profondeur d'aspiration. À partir d'une profondeur d'aspiration de 2 m, la puissance d'aspiration diminue pour des raisons de construction	Réduire la profondeur d'aspiration
Le récipient collecteur ne se vide pas et l'appareil n'aspire pas	• Tuyau d'écoulement plié • Le tuyau d'écoulement est trop haut (max. 2 m plus haut que l'appareil) • Le tuyau d'écoulement est trop long (max. 20 m)	Installer correctement le tuyau.
	De la saleté obstrue le tuyau d'écoulement ou le clapet anti-retour.	• Retirer la saleté se trouvant dans le tuyau d'écoulement • Nettoyage du clapet anti-retour
	La pompe de vidage est bloquée	• Nettoyer la pompe de vidage • Nettoyage du clapet anti-retour

Pièce	Description
1	Poignée
2	Poignée de transport
3	Fis de fixation pour maintenir la poignée de transport
4	Interrupteur secteur - Connecter et déconnecter l'appareil
5	Bloc aspirateur
6	Pincettes de fermeture (6 ×)
7	Cosses polarisée pour le raccordement de la pompe
8	Mousse filtrante - Protège le système électronique du bloc aspirateur contre les particules qui s'infiltrent
9	Corbeille de filtre - Un flotteur intégré protège le système électronique contre l'eau qui s'infiltré en cas de dépassement de la hauteur d'eau max.
10	Câble secteur avec fiche secteur
11	Roue (2 ×)
12	Sortie (culotte) avec raccord de tuyau STORZ C
13	Pied de la pompe
14	Pompe de vidage
15	Réservoir
16	Adaptateur avec clapet anti-retour - Le clapet anti-retour permet d'éviter le retour d'eau par le tuyau d'écoulement
17	Sac de récupération d'impuretés
18	Entrée (suceur)



Questions, problèmes, pièces manquantes ?

Avant de retourner chez votre détaillant, appelez au 1 866 627-3435, entre 8 h et 18 h, heure de l'Est, ou encore envoyez-nous un courriel à l'adresse customer-care@oase-livingwater.com. Vous pouvez aussi consulter notre site web au www.oase-livingwater.com

INDICACIONES DE SEGURIDAD IMPORTANTES

Durante el uso de los equipos eléctricos se deben tener en cuenta las medidas básicas de precaución y también las siguientes medidas:



LEA TODAS LAS INSTRUCCIONES ANTES DEL USO (DE ESTE EQUIPO).

¡ATENCIÓN! Para reducir el riesgo de incendios, descargas eléctricas o lesiones:

- No deje el equipo sin supervisión mientras está conectado. Saque la clavija cuando no se use el equipo o se tengan que realizar trabajos de mantenimiento en el equipo.
- Proteja el equipo de la lluvia, almacénelo dentro.
- Este equipo no es un juguete. Preste una atención especial cuando se use el equipo en la cercanía de niños.
- Use el equipo sólo conforme a las instrucciones contenidas en estas instrucciones. Use el equipo sólo con los accesorios recomendados por el fabricante.
- No use el equipo si está dañado el cable o la clavija. Lleve el equipo a una central de asistencia al cliente si no funciona correctamente, se ha caído, está dañado, se dejó afuera o se cayó en el agua.
- No arrastre ni lleve el equipo por el cable. No use el cable como agarradera, no bloquee el cable en una puerta y evite que el cable pase por esquinas y cantos afilados. Evite que el equipo ruede sobre el cable. Mantenga el cable alejado de las superficies calientes.
- No tire del cable para sacar la clavija de la red. Para desconectar el equipo saque siempre la clavija con la mano y no tire del cable.
- No toque la clavija ni el equipo con las manos mojadas.
- No introduzca objetos en las aberturas. No use el equipo cuando están bloqueadas las aberturas; mantenga las aberturas libres de polvo, pelusas, pelo u otras cosas que puedan evitar la corriente de aire.
- Mantenga el pelo, la ropa suelta, los dedos y todas las otras partes del cuerpo alejados de las aberturas y las piezas móviles.
- Desconecte el control completo antes de sacar la clavija.
- Tenga un cuidado especial durante la limpieza en escaleras.
- No use el equipo para aspirar líquidos inflamables como bencina ni en áreas donde estén almacenados estos líquidos.
- Conecte el equipo sólo a un tomacorriente correctamente puesto a tierra. Consulte las instrucciones de puesta a tierra.
- Saque la clavija antes de conectar la manguera y los accesorios.
- No aspire objetos ardientes ni que emitan humo, como por ejemplo cigarrillos, cerillas o ceniza caliente.
- No use el equipo sin bolsas de aspirador y/o filtros.

GUARDE ESTAS INSTRUCCIONES

Sólo para uso doméstico

INSTRUCCIONES DE PUESTA A TIERRA

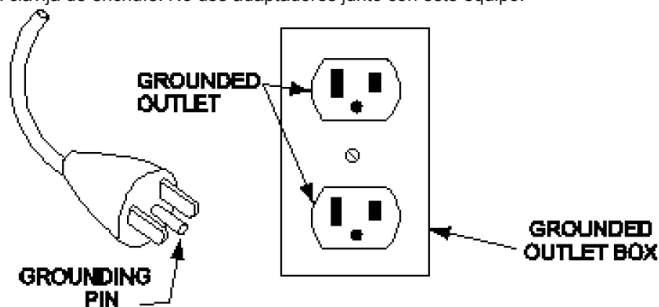
Este equipo se tiene que poner a tierra. En caso de fallos la puesta a tierra representa el camino de menor resistencia para la corriente eléctrica y evita de esta forma el riesgo de una descarga eléctrica. Este equipo está equipado con un cable que incluye un conductor de puesta a tierra y un clavija de puesta a tierra. Enchufe la clavija en un tomacorriente apropiado, que se haya instalado y puesto a tierra correctamente conforme a todas las leyes y regulaciones válidas en el lugar.

¡ATENCIÓN! Se pueden producir descargas eléctricas si el conductor de puesta a tierra no se conecta correctamente. Si no está seguro que el tomacorriente está correctamente puesto a tierra consulte un electricista o técnico de mantenimiento cualificado. No ejecute modificaciones en la clavija suministrada. Si la clavija no cabe en el tomacorriente, encargue la instalación de un tomacorriente adecuado a un electricista cualificado.

Este equipo se apropia para ser usado en una red de corriente con una tensión nominal de 120 V y está equipado con una clavija de puesta a tierra cuyo aspecto se puede consultar en la gráfica A. Garantice que el equipo esté conectado con un tomacorriente configurado para la clavija de enchufe. No use adaptadores junto con este equipo.

 EARTH (GROUND)
symbol

 ALTERNATING CURRENT
symbol

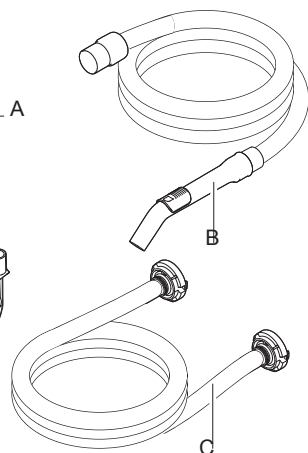
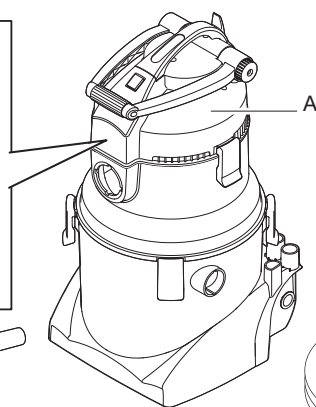
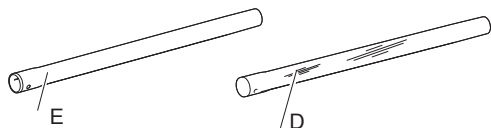
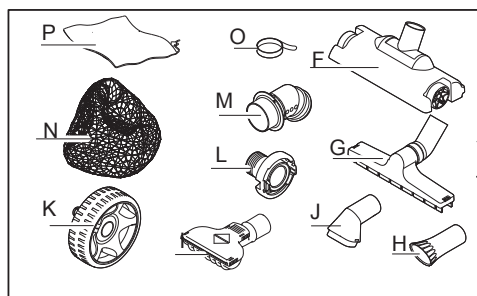


RECORDATORIO

LLAME AL 1-866-627-3435

ANTES DE REGRESAR A LA TIENDA.

Parte	Descripción	Cant.
A	Aspiradora multifuncional PondoVac 5	1
B	Manguera de aspiración con asa	1
C	Tubo flexible de desagüe	1
D	Tubo de prolongación	1
E	Tubo de prolongación transparente	1
F	Tobera de superficie - Para limpiar grandes superficies lisas	1
G	Tobera de aspiración en húmedo - Para aspirar suciedad o agua residual al usar una aspiradora en mojado	1
H	Tobera de algas barbudas - Para separar y eliminar los haces de algas	1
I	Tobera universal - Para aspirar el lodo de estanque sin la grava de estanque	1
J	Tobera portaescobillas - Para eliminar suciedades fuertes	1
K	Rueda	2
L	Acoplamiento fijo C-Storz	1
M	Distribuidor de entrada	1
N	Bolsa colectora de suciedad	1
O	Cinta velcro para bolsa colectora de suciedad	1
P	Bolsa de filtro fino	1



¿Preguntas, problemas, partes faltantes?

Antes de regresar con su vendedor, llame al 1-866-627-3435 de 8 am a 6 pm, hora del este, de lunes a viernes, o envíenos un correo electrónico a customer-care@oase-livingwater.com. O visite nuestra página web www.oase-livingwater.com

Información sobre estas instrucciones de operación

Bienvenido a Agua Viva de OASE. Hizo una excelente decisión al comprar este producto de **PondoVac 5**. Antes de poner la unidad en operación, por favor lea las instrucciones de uso cuidadosamente y completamente para conocer la unidad. Asegúrese que cualquier trabajo en y con esta unidad esté en concordancia con estas instrucciones. Por favor, sigue estrictamente las instrucciones incluidas para lograr manejo seguro y adecuado del producto. Mantenga estas instrucciones en un lugar seguro. Por favor, incluye las instrucciones al pasar la unidad a un dueño nuevo.

SÍMBOLOS DE ADVERTENCIA Y PRECAUCIÓN

Símbolos utilizados en estas instrucciones

Los símbolos usados en este manual de operación tienen los siguientes significados:



Riesgo de lesión en personas a razón de voltaje eléctrico peligroso.

Este símbolo indica un peligro inminente, el cual puede llevar a la muerte o lesiones graves en caso de no tomar las medidas apropiadas.



Riesgo de lesión personal causado por una fuente general de peligro.

Este símbolo indica un peligro inminente, el cual puede llevar a la muerte o lesiones graves en caso de no tomar las medidas apropiadas.



Información importante para garantizar operación sin problemas.



PRECAUCIÓN

Riesgo de descarga eléctrica - Esta bomba está equipada con un conductor de puesta a tierra y un enchufe con descarga a tierra. Para reducir el riesgo de descarga eléctrica, asegúrese de conectar la unidad a una base del enchufe con conexión a tierra.

Descripción del producto

PondoVac 5 es una aspiradora multifuncional para la limpieza de los estanques de jardín, piscinas y estanques para nadar. El equipo es también apropiado para la limpieza en el hogar en seco o mojado. El PondoVac 5 no es un producto en el exterior. Sólo se utiliza a partir de tiempo al tiempo al aire libre.

Descripción del funcionamiento

El equipo aspira por la manguera el lodo de las aguas, que se acumula en el recipiente. Con la corredera en el mango del tubo de aspiración se puede regular la potencia de aspiración.

La bolsa colectoras de suciedad del recipiente del equipo colecciona las partículas de suciedad gruesas evitando la obturación o bloqueo de la bomba de vaciado. Limpie la bolsa colectoras de suciedad si merma la potencia de aspiración.

La bomba de vaciado bombea el agua sucia permanentemente a través de la manguera de desagüe fuera del recipiente.

El flotador de la cesta de apoyo del filtro protege el cabezal de aspiración de la penetración del agua. Para el funcionamiento correcto debe limpiarse regularmente la espuma de filtro. El flotador se tiene que moverse libremente.

Función protectora del flotador:

- Si el nivel de agua sucia aumenta en el recipiente inadmisiblemente, el flotador cierra la apertura de aspiración del cabezal de aspiración y desconecta la aspiradora.
 - Si el flotador libera la apertura de aspiración en un lapso de 15 segundos, el cabezal de aspiración se conecta automáticamente. De lo contrario el equipo se desconecta completamente y se escucha una señal de aviso auditiva.
 - Si el flotador cierra la apertura de aspiración tres veces en un lapso de 60 segundos, el equipo se desconecta completamente y se escucha una señal de aviso auditiva.
 - Sólo tras la supresión del fallo está permitido poner el equipo en servicio desconectándolo y conectándolo.

Uso conforme a lo prescrito

PondoVac 5, denominado "equipo", se puede utilizar sólo de la forma siguiente:

- Para aspirar el lodo de estanque.
- Para limpiar estanques de jardín, estanques de baño y piscinas.
- Opere el equipo sólo con la bolsa colectora de suciedad.
- Operación observando los datos técnicos.
- No emplee el equipo para fines industriales.

Para el equipo son válidas las siguientes limitaciones:

- No opere nunca sin circulación de agua.
- La proporción de agua en el material sucio debe ser mínimamente del 20 %.
- Operación sólo con agua a una temperatura del agua de +4 °C a +35 °C.
- No transporte nunca otros líquidos que no sea el agua.
- No emplear como aspirador en seco.
- No emplee el equipo en combinación con productos químicos, alimentos y sustancias fácilmente inflamables o explosivos.
- No transportar estado lleno.

Indicaciones de seguridad

Este equipo puede ser utilizado por niños a partir de 8 años y mayores así como por personas con capacidades físicas, sensoriales o mentales reducidas o que no dispongan de la experiencia y conocimientos necesarios, cuando sean supervisados o hayan sido instruidos en el uso seguro del equipo y los posibles peligros resultantes.

Los niños no deben jugar con el equipo.

Está prohibido que los niños ejecuten la limpieza y el mantenimiento sin supervisión.

Peligros que se producen por el contacto del agua con la electricidad

- En caso de una conexión no conforme a lo prescrito o una manipulación inadecuada, el contacto del agua con la electricidad puede provocar la muerte o graves lesiones debido a un choque eléctrico.
- Antes de tocar el agua desconecte siempre todos los equipos que se encuentran en el agua de la tensión.

Conexión eléctrica

- Sólo está permitido conectar el equipo cuando los datos eléctricos del equipo coincidan con la alimentación de corriente. Los datos del equipo se encuentran en la placa de datos técnicos en el equipo, en el embalaje o en estas instrucciones.
- El equipo tiene que estar protegido con un dispositivo de protección contra corriente de fuga máxima de 30 mA.
- Las líneas de prolongación y distribuidores de corriente (p. ej. enchufes múltiples) deben ser apropiados para el empleo a la intemperie (protegido contra salpicaduras de agua).
- Conecte el equipo sólo a un tomacorriente instalado conforme a lo prescrito.
- En caso de preguntas y problemas diríjase a personal electricista especializado.

Funcionamiento seguro

No exponga el equipo a la influencia de lluvias.

La distancia de seguridad del equipo al agua tiene que ser como mínimo de 2 m.

Utilice el equipo sólo cuando no haya ninguna persona en el agua.

Está prohibido operar el equipo con líneas eléctricas defectuosas o si la caja está defectuosa.

No transporte ni tire el equipo por la línea eléctrica.

Tienda las líneas con protección contra daños y garantice que ninguna persona tropiece con ellas.

Abra la caja del equipo o las partes del equipo sólo si esto se requiere expresamente en las instrucciones.

Ejecute en el equipo sólo los trabajos descritos en estas instrucciones. Si no es posible solucionar los problemas diríjase a una oficina de atención a los clientes o en caso de dudas al fabricante.

Emplee sólo piezas de recambio y accesorios originales para el equipo.

No realice nunca modificaciones técnicas en el equipo.

¿Preguntas, problemas, partes faltantes?

Antes de regresar con su vendedor, llame al 1-866-627-3435 de 8 am a 6 pm, hora del este, de lunes a viernes, o envíenos un correo electrónico a customercare@oase-livingwater.com. O visite nuestra página web www.oase-livingwater.com

Abrir/cerrar el recipiente

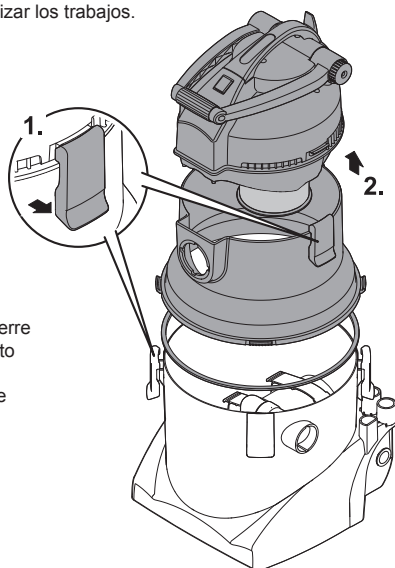


¡Atención! Tensión eléctrica peligrosa

Posibles consecuencias: La muerte o lesiones graves.

Medidas de protección: Separe el equipo de la red antes de realizar los trabajos.

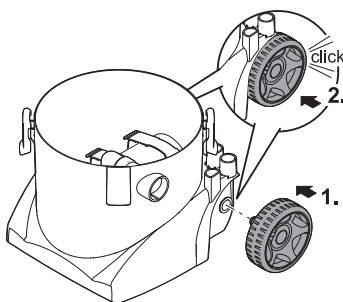
1. Suelte la pinza de cierre.
 - Tomar por debajo de la pinza y tirar de ella hacia arriba
2. Elevar el cabezal de aspiración o el anillo adaptador..
 - El cabezal de la aspiradora y el anillo de adaptación pueden retirarse por separado.
 - La clavija de conexión para la bomba de vaciado no se que soltarse
- Monte las piezas en secuencia contraria y bloquee con la pinza de cierre
 - Las piezas tienen que estar alineadas perfectamente unas respecto de otras.
 - La junta del anillo de adaptación debe asentarse correctamente de modo que no se dañe al ensamblar



Montaje del equipo

Montaje de las ruedas

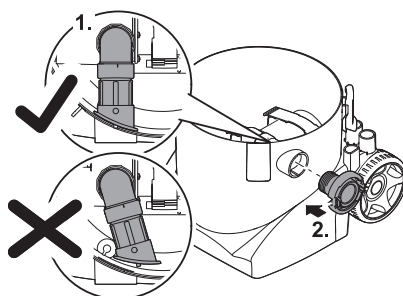
1. Insertar la rueda en el buje.
2. Presionar fuertemente la rueda hasta que se enclave.



Montaje de la salida

Condición: El recipiente está abierto.

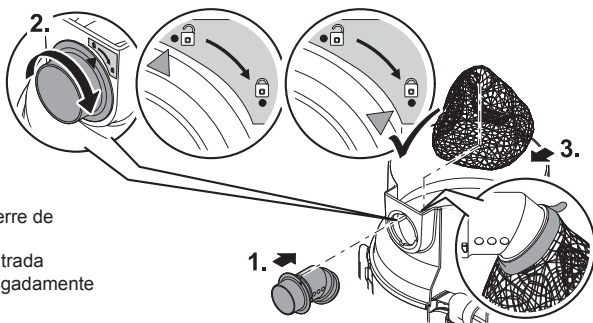
1. Controlar que el adaptador con la clapeta de retención se encuentren bien asentados.
 - El adaptador tiene que estar engatillado o enclavado en el tabique del recipiente
2. Atornille el acoplamiento fijo C-Storz en la salida y apriételo bien a mano.



Montaje de la entrada

Condición: El recipiente está abierto.

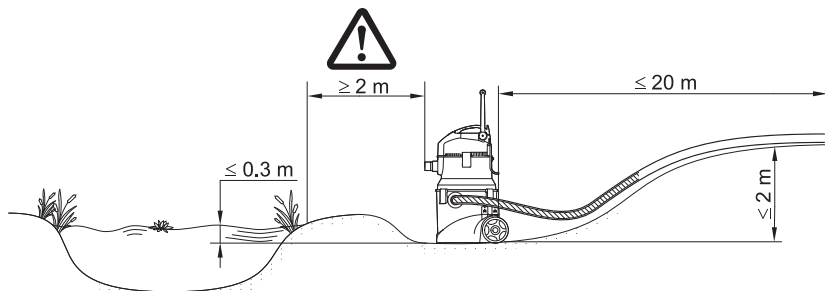
1. Insertar el distribuidor de entrada en la apertura
 - Los pasadores del distribuidor de entrada deben pasar por las perforaciones de la apertura
2. Girar fuertemente el distribuidor de entrada (cierre de bayoneta).
 - Las aberturas de salida del distribuidor de entrada del recipiente tienen que estar alineadas sesgadamente hacia abajo.
3. Coloque la bolsa colectora de suciedad en el distribuidor de entrada del recipiente.
 - El tirador elástico de la bolsa colectora de suciedad tiene que asentarse en la ranura del distribuidor de entrada.
 - La bolsa colectora de suciedad debe asegurarse con el cierre velcro.



Emplazamiento y conexión

- ⚠ ¡Atención! Tensión eléctrica peligrosa.**
Posibles consecuencias: La muerte o graves lesiones durante el funcionamiento de equipos o instalaciones eléctricas en aguas o junto a las aguas
Medidas de protección:
- Emplace el equipo a una distancia de seguridad mínima de 2 m al agua.
 - Seleccione una base fija y horizontal para evitar el vuelco.

- ℹ ¡Indicación!**
El equipo puede colocarse 0,3 m por debajo del nivel del agua y funcionar así
Posibles consecuencias: El agua fluye automáticamente por el recipiente cuando el equipo está desconectado si la manguera permanece en el estanque/piscina. El estanque / depósito se vacía.
Acción correctora: Estando el equipo desconectado, tomar siempre la manguera de aspiración del estanque/la piscina

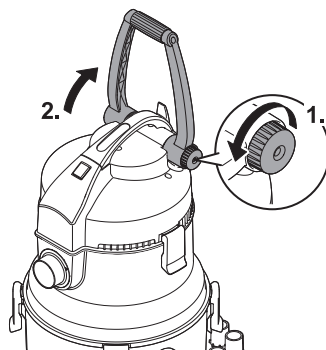


¿Preguntas, problemas, partes faltantes?

Antes de regresar con su vendedor, llame al 1-866-627-3435 de 8 am a 6 pm, hora del este, de lunes a viernes, o envíenos un correo electrónico a customercare@oase-livingwater.com. O visite nuestra página web www.oase-livingwater.com

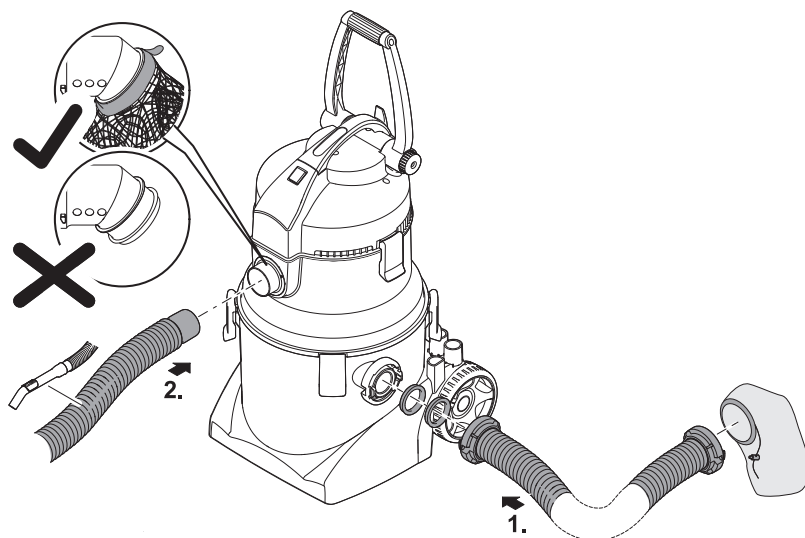
Ajuste del estribo de transporte

1. Suelte el tornillo de ajuste..
2. Ponga el estribo de transporte en la posición deseada.
3. Apriete a mano el tornillo de ajuste.



Conecte las mangueras y las boquillas.

1. Enchufe la manguera en la salida y gire en el sentido de las agujas del reloj (cierre de bayoneta).
 - o Si sólo se aspiran partículas de suciedad gruesas, de >1 mm (por ejemplo, hojas o pelos), puede reconducir el agua de salida por la bolsa de filtro fino hacia el estanque / la piscina.
 - o El agua con lodo se elimina siempre.
2. Enchufe la manguera de aspiración en la entrada..
3. Inserte los tubos de prolongación y las boquillas pertinentes en el asa de la manguera de aspiración.
 - o Tobera universal: Para aspirar el lodo de estanque sin arrastrar la grava.
 - o Tobera de algas barbudas: Para separar y eliminar los haces de algas.
 - o Tobera portaescobillas: para eliminar suciedades fuertes.
 - o Tobera de superficie: Para limpiar grandes superficies lisas.
 - o Tobera de aspiración en húmedo: Para aspirar suciedad o agua residual al usar una aspiradora en mojado.



Indicación

- Cuanto más tubos se empleen mayor es la resistencia de rozamiento de los tubos. De esta forma disminuye la potencia de aspiración.
- El equipo se debe emplazar de ser posible un poco por encima del nivel del agua para no mermar la potencia de aspiración.

Condiciones básicas que se deben cumplir:

- Guíe el agua sucia a la canalización o alejada del estanque para que no pueda retornar al estanque
- Desenrolle completamente la red- y el cable de prolongación.
 - o Evite los haces de cables.

Funcionamiento

- Conecte el equipo a la red eléctrica. El equipo tiene un interruptor de alimentación.
 - Posición I: Aspiración continua.
 - Posición 0: El equipo está desconectado.
- Regular la potencia de aspiración con la corredera del mango de la manguera de aspiración.
 - Aumento de la potencia de aspiración: Desplazar la corredera adelante.
 - Disminuir la potencia de aspiración: Desplazar la corredera atrás.
- Limpie el equipo después de cada empleo.
 - Recomendación: Aspirar agua limpia antes de limpiar. Las partículas de suciedad se sueltan y evacúan.

Indicación

El equipo y las juntas se someten a un esfuerzo excesivo si el equipo se maneja con el recipiente lleno.

- Vaciar el recipiente antes de manejar el equipo.

Limpieza y mantenimiento



¡Atención! Tensión eléctrica peligrosa.

Posibles consecuencias: La muerte o lesiones graves.

Medidas de protección: Separe el equipo de la red antes de realizar los trabajos

Limpieza del recipiente

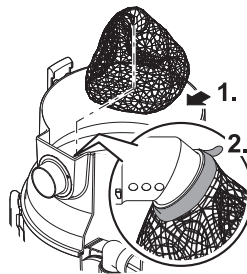
Condición: El recipiente está abierto.

- Limpie la bolsa colectora de suciedad bajo agua corriente
 - Limpie las siguientes piezas con agua limpia y un cepillo suave:
 - Distribuidor de entrada
 - Bomba de vaciado
 - Acoplamiento fijo C-Storz: Limpiar regularmente las juntas, también las de las mangueras C. Las juntas sucias se someten a un mayor desgaste y dan lugar a conexiones no herméticas.
 - Interior del recipiente
- Recomendación: Colocar el cabezal de aspiración junto al equipo (no abrir el enchufe), colocar el recipiente y enjuagar con agua corriente.

Limpiar la bolsa colectora de suciedad

Condición: El recipiente está abierto.

1. Soltar la cinta velcro de la bolsa colectora de suciedad.
2. Tirar del tirador de goma de la bolsa colectora de suciedad del distribuidor de entrada.
3. Tomar y vaciar la bolsa colectora de suciedad.
 - Abrir la cremallera para vaciar cómodamente la bolsa colectora de suciedad.
 - Cerrar la cremallera tras el vaciado.
4. Colocar de nuevo en secuencia contraria la bolsa colectora de suciedad.
 - La bolsa colectora de suciedad debe asegurarse con el cierre velcro



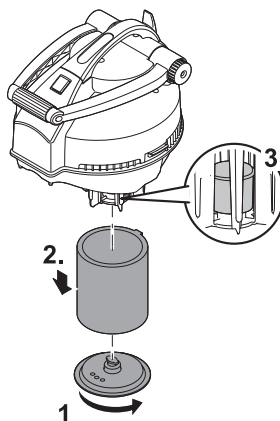
¿Preguntas, problemas, partes faltantes?

Antes de regresar con su vendedor, llame al 1-866-627-3435 de 8 am a 6 pm, hora del este, de lunes a viernes, o envíenos un correo electrónico a customercare@oase-livingwater.com. O visite nuestra página web www.oase-livingwater.com

Limpe el elemento de espuma filtrante

Condición: El recipiente está abierto.

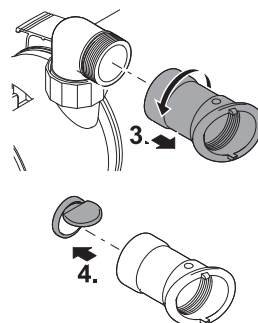
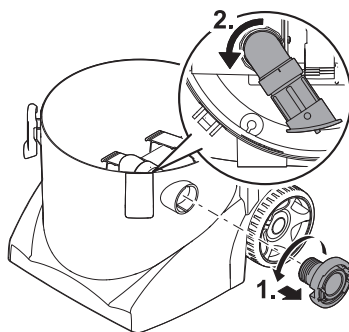
1. Soltar la cobertura del filtro (cierre de bayoneta).
2. Quite la espuma filtrante y limpie con agua limpia y un cepillo suave.
3. Controle la función del flotador y limpie si fuera necesario.
 - o El flotador se tiene que moverse libremente..
4. Monte las piezas en secuencia contraria.



Limpeza de la clapeta de retención

Condición: El recipiente está abierto.

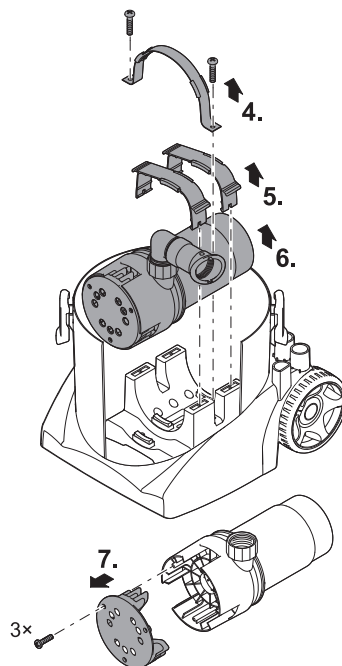
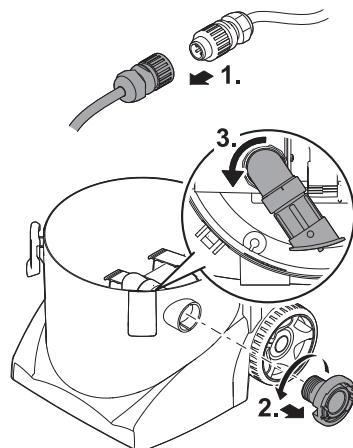
1. Desenroscar el acoplamiento fijo C-Storz.
2. Girar al lado el adaptador.
3. Desenroscar el adaptador.
4. Extraer la clapeta de retención
5. Limpiar todas las piezas con agua limpia y un cepillo suave.
6. Monte de nuevo las piezas en secuencia contraria
 - o Importante: La clapeta de retención ha de disponerse de tal modo que se abra en dirección a la salida



Desmontar / limpiar la bomba

Condición: El recipiente está abierto.

1. Desenroscar el la conexión de enchufe y separar.
 - o Proteger las conexiones de enchufe contra la humedad..
2. Desenroscar el acoplamiento fijo C-Storz.
3. Girar al lado el adaptador.
4. Retirar el seguro de transporte
5. Combar cuidadosamente el soporte de estribo con la driza para soltar el bloqueo.
6. Extraer la bomba de vaciado y limpiar o substituir si estuviera defectuosa.
7. Limpiar la bomba de vaciado:
 - o Suelte los tornillos de la carcasa de la bomba retire la rejilla de protección.
 - o Limpie la rejilla de protección por dentro y por fuera con agua clara y un cepillo suave.
 - o Libere de suciedades la unidad de rodadura. Para acceder a todas las zonas sucias, gire a mano la unidad de rodadura.
8. Monte de nuevo las piezas en secuencia contraria.
 - o El seguro de transporte tiene que montarse sólo si el equipo se envía o si se transporta echado.



Piezas de desgaste

Los siguientes componentes son piezas de desgaste y no entran en la prestación de garantía:

Elemento de espuma filtrante, Bolsa colectora de suciedad, Juntas, Ruedas, Clapeta de retención, Unidad de rodadura

Piezas de recambio

El equipo se mantiene seguro y trabaja de forma fiable con las piezas originales de OASE.

Consulte los dibujos de piezas de recambio y las piezas de recambio en nuestra página web.

¿Preguntas, problemas, partes faltantes?

Antes de regresar con su vendedor, llame al 1-866-627-3435 de 8 am a 6 pm, hora del este, de lunes a viernes, o envíenos un correo electrónico a customercare@oase-livingwater.com. O visite nuestra página web www.oase-livingwater.com

Almacenamiento / Conservación durante el invierno

- Cuando no está en uso, la unidad debe ser memorizado.
 - Vacíe el equipo en la medida posible, límpielo minuciosamente y compruebe si está dañado.
 - Vacíe en la medida posible todas las mangueras, tuberías y conexiones.
 - Guarde el equipo fuera del alcance de los niños en un lugar seco y exento de heladas.

Desecho

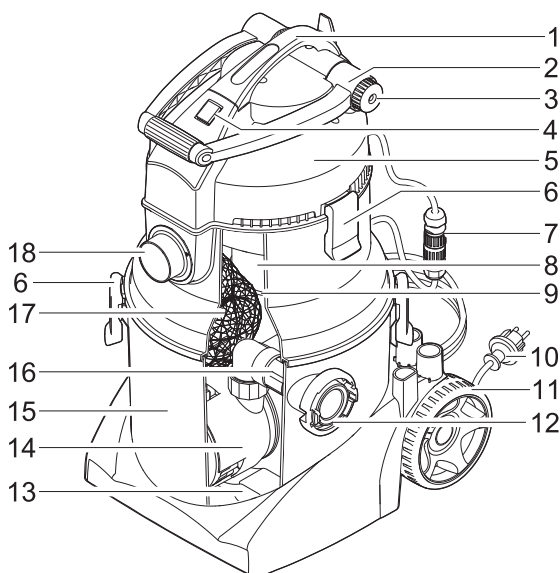


¡No deseche esta unidad en conjunto con la basura doméstica! Primero deshabilite la unidad al cortar los cables. Puede obtener información adicional sobre el reciclaje de este producto de su autoridad municipal local.

Resolución de problemas

Problema	Causa	Solución
El equipo no se conecta.	Ninguna tensión de red	Conecte la tensión de alimentación
	Obturación en la carcasa de la bomba, en la manguera de desagüe o en la clapeta de retención	Elimine la suciedad
	Bomba defectuosa	Substituir la bomba
	Conexión de enchufe del cable de la bomba abierta	Cerrar la conexión de enchufe
	Humedad en la conexión de enchufe del cable de la bomba	Abrir la conexión de enchufe y dejar secar al aire
	La manguera de desagüe se encuentra demasiado alta	La manguera de salida se debe colocarse más baja (como máximo 2 m sobre de la superficie de apoyo del equipo).
El equipo no se puede conectar; se escucha una señal auditiva de advertencia	Nivel de agua excesivo en el en el recipiente. <ul style="list-style-type: none"> • El flotador del cabezal de aspiración ha cerrado la apertura de aspiración durante un lapso superior a 15 segundos. • El flotador del cabezal de aspiración ha cerrado la apertura de aspiración tres veces durante un lapso superior a 60 segundos 	Limpié el recipiente. <ul style="list-style-type: none"> • El flotador se tiene que moverse libremente. Reposición del fallo: Desconecte el equipo y conéctelo de nuevo
Del equipo sale vapor	Si hay frío, en el equipo se produce agua condensada que sale en forma de vapor de agua	Acontecimiento normal. No es necesario ninguna acción correctora
El equipo no aspira o pierde potencia	No hay tensión de alimentación	Comprobar la tensión de alimentación
	La diferencia de altura entre el nivel de agua y el equipo es muy grande	El equipo se debe emplazar tan poco como sea posible por encima del nivel del agua
	La bolsa colectora de suciedad está llena	Vacíe la bolsa colectora de suciedad
	La suciedad obstruye el elemento de espuma filtrante, el tubo de aspiración o el tubo flexible de aspiración	Elimine la suciedad
	La clapeta de retención se bloquea o está sucia	Limpiar
Potencia de aspiración reducida	Corredera en el mango de aspiración abierta	Cierre la corredera en el mango de aspiración
	Resistencia de rozamiento de los tubos aumentada	Mantenga la línea de aspiración lo más corta y plana posible
	Profundidad de aspiración muy grande. La potencia de aspiración disminuye a partir de una profundidad de aspiración de 2 m debido a la construcción.	Disminuya la profundidad de aspiración
El recipiente no se vacía y el cabezal de aspiración se desconecta repetidamente	<ul style="list-style-type: none"> • Manguera de desagüe doblada • La manguera de desagüe está demasiado alta (como máximo 2 m más que el equipo). • Manguera de desagüe demasiado larga (máx. 20 m) 	Coloque correctamente la manguera de desagüe.
	La suciedad obstruye el tubo flexible de desagüe o la válvula de retención	<ul style="list-style-type: none"> • Elimine la suciedad del tubo flexible de desagüe • Limpieza de la clapeta de retención
	La bomba de vaciado está bloqueada	<ul style="list-style-type: none"> • Limpie la bomba de vaciado • Limpieza de la clapeta de retención





Parte	Descripción
1	Asa
2	2 Bolsa de transporte
3	Tornillo de ajuste para sujetar la bolsa de transporte
4	Interruptor de red - Conectar y desconectar el equipo
5	Cabezal de aspiración
6	Pinza de cierre (6 ×)
7	Conector de polaridad segura para la conexión de la bomba
8	Elemento de espuma filtrante - Protege la electrónica del cabezal de aspiración contra la penetración de partículas de suciedad
9	Cesta de apoyo del filtro - El flotador integrado protege la electrónica contra la penetración de agua si se sobrepasa la altura máxima del agua
10	Cable de red con clavija
11	Rueda (2 ×)
12	Salida (tubo de presión) con acoplamiento de manguera C-Storz
13	Pie de la bomba
14	Bomba de vaciado
15	Recipiente
16	Adaptador con clapeta de retención - La clapeta de retención evita el retroceso del agua a través de la manguera de desagüe
17	Bolsa colectora de suciedad
18	Entrada (tubuladura de aspiración)



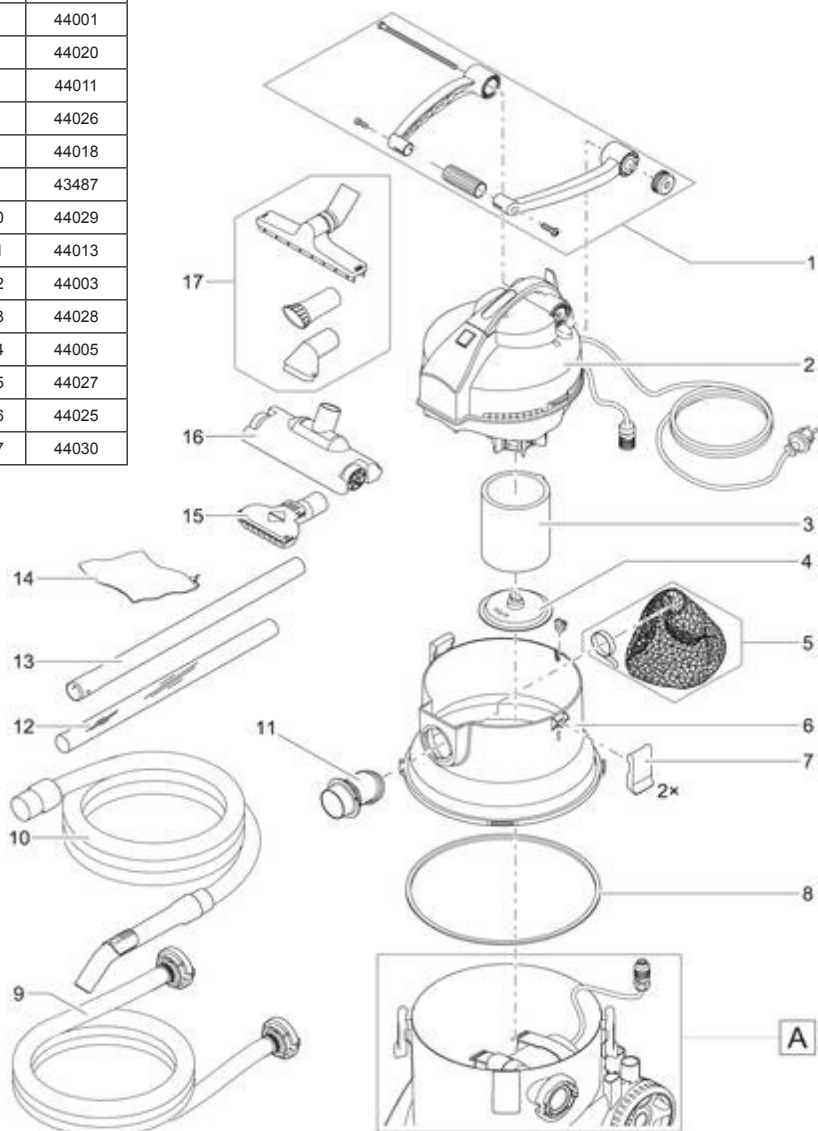
¿Preguntas, problemas, partes faltantes?

Antes de regresar con su vendedor, llame al 1-866-627-3435 de 8 am a 6 pm, hora del este, de lunes a viernes, o envíenos un correo electrónico a customercare@oase-livingwater.com. O visite nuestra página web www.oase-livingwater.com

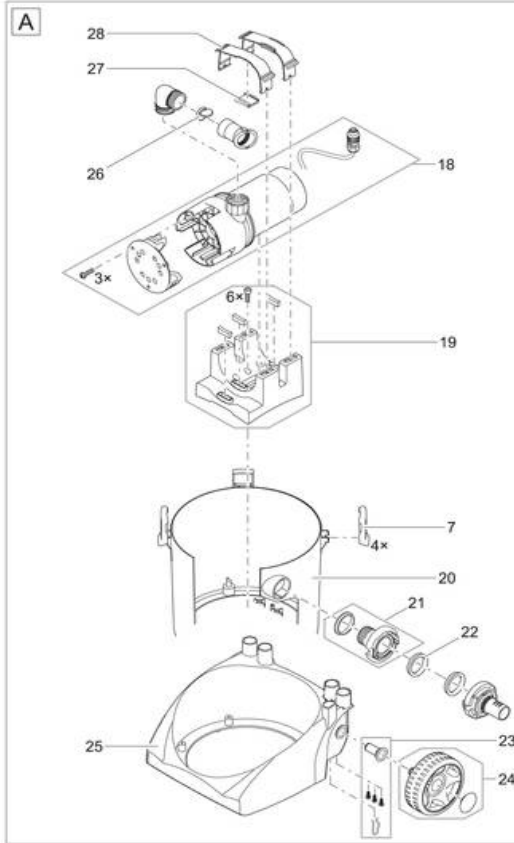
EN	Model no.	Rated voltage	Power consumption	Output connection	Max. delivery rate of discharge pump	Max. head height of discharge pump	Max. length Discharge hose	Max. delivery rate of Vacuum head	Submersion depth of suction hose	Weight	cord length	Permissible water temperature	Vacuum Dimensions
FR	Numéro de modèle	Tension nominale	Consommation électrique	Prise de Sortie	Débit maximal de pompe de vidage	Hauteur de refoulement maximale de pompe de vidage	Longueur maximale du tuyau d'écoulement	Débit maximal de bloc aspirateur	Profondeur d'immersion du tuyau d'aspiration	Poids	Longueur du cordon	La température de l'eau	Dimension
SP	No. de modelo	Tensión nominal	Consumo eléctrico	Conexión de Salida	Tasa de flujo máxima de Bomba de vaciado	Columna de agua de bomba de vaciado	Largo máximo de la manguera de desagüe	Tasa de flujo máxima de cabezal de aspiración	profundidad de inmersión de la manguera de aspiración	Peso	Longitud de cable	La temperatura del agua	Dimensiones
PondoVac 5	48080	120V / 60 Hz	max. 15 A	2" Storz coupling type C	2500 GPH 9463.5 LPH	27 ft. 8 m	65 ft. 19.8 m	1900 GPH 7192 LPH	Max. 7.5 ft. Max. 2.3 m	53.6 lbs. 24.3 kg	25 ft. 7.6 m	+39.2 ... +95 °F	17.2 x 16.7 x 28.2 in. 436 x 425 x 716 mm

		IP 68 		ID XA			
EN	Discharge pump: Dust-tight. Watertight to 3.3 ft. depth.		Vacuüm: Protection against the ingress of splash water.	Do not dispose of with household waste.	Attention! Read the operating instructions.		
FR	Pompe de vidage : Étanche à la poussière. Étanche à l'eau jusqu'à une profondeur de 1 m.		Aspirateur : Protection contre la pénétration de projection d'eau	A ne pas évacuer dans les ordures ménagères !	Attention ! Lire la notice d'emploi.		
SP	Bomba de vaciado: A prueba de polvo. Impermeable al agua hasta una profundidad de 1 m.		Aspirador: Protección contra la entrada de agua salpicante.	¡No deseché el equipo en la basura doméstica!	¡Atención! Lea las instrucciones de uso.		

Pos.	PondoVac 5
1	44024
2	46465
3	44004
4	44001
5	44020
6	44011
7	44026
8	44018
9	43487
10	44029
11	44013
12	44003
13	44028
14	44005
15	44027
16	44025
17	44030



Pos.	PondoVac 5
18	44021
19	44015
20	44012
21	44016
22	44168
23	44023
24	44022
25	44019
26	44017
27	17232
28	16978



Oase
LIVING WATER